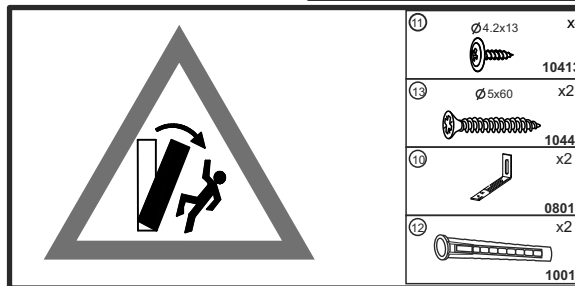
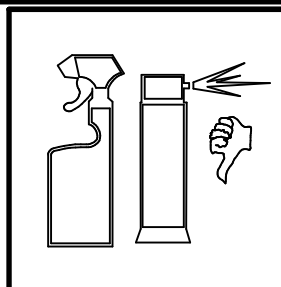
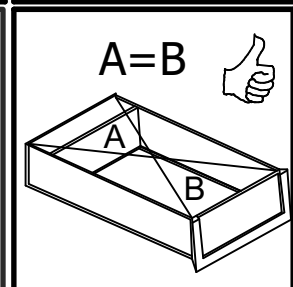
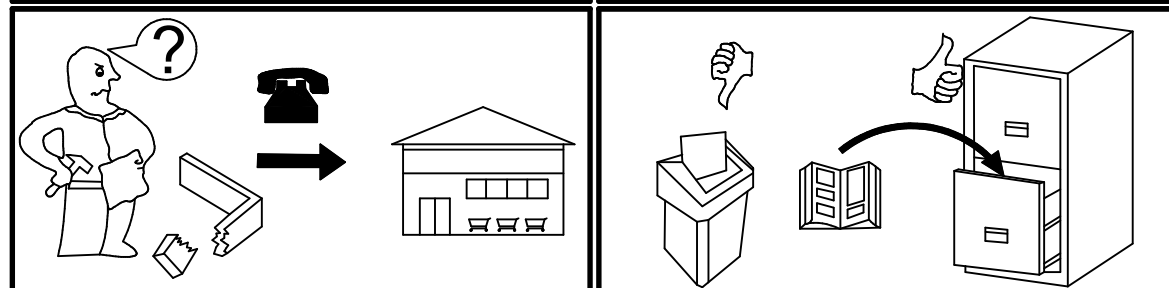
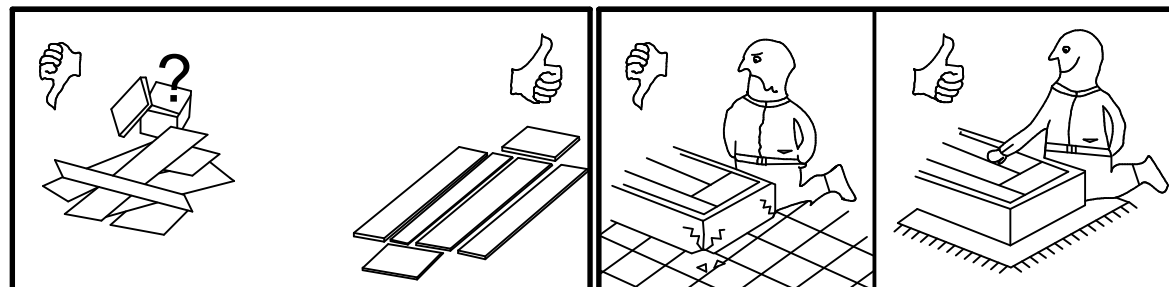
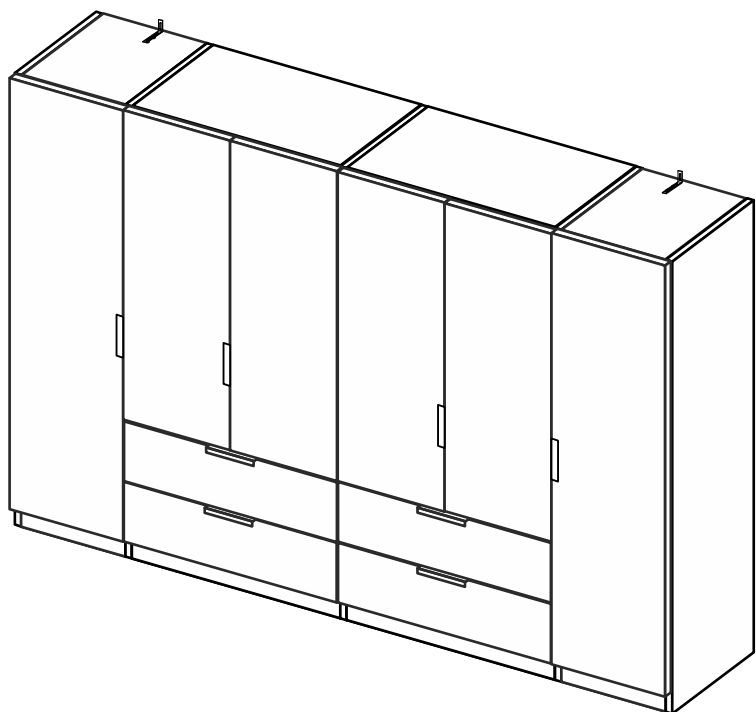
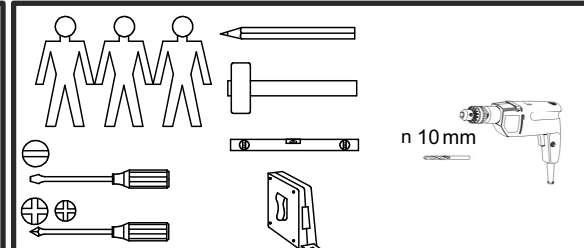
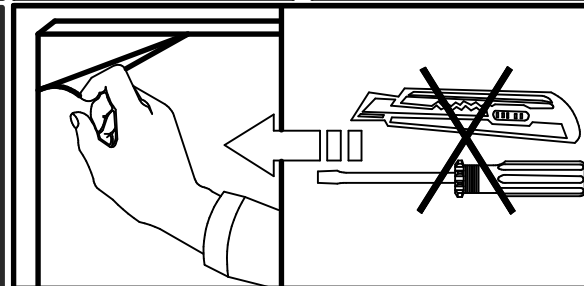
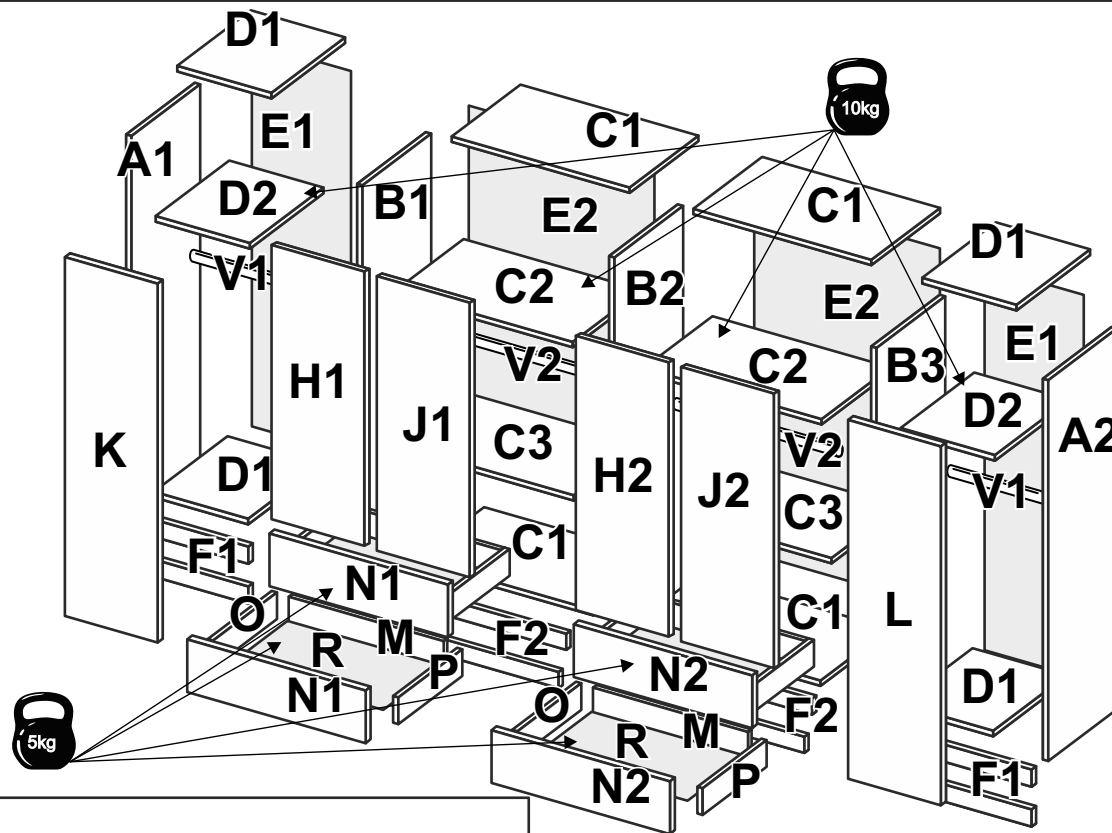


Kleiderschrank



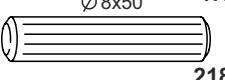
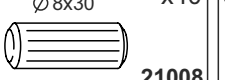
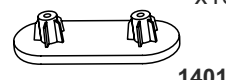
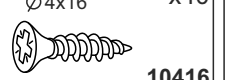


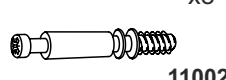

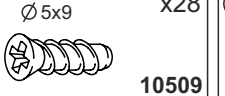
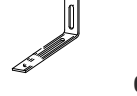

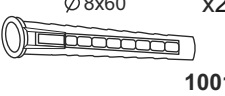
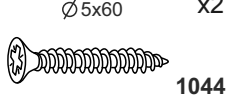
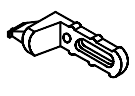
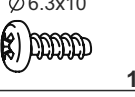
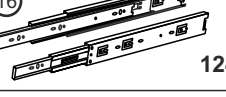
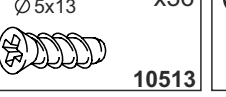
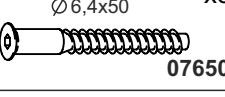
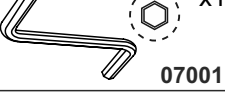
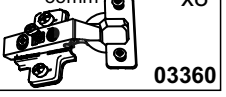
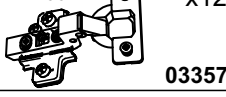

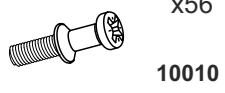

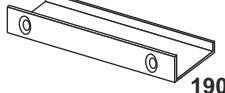
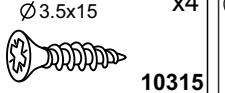

- ① Ø4.2x13 x4 10413
- ③ Ø5x60 x2 10443
- ④ x2 10443
- ⑤ 08011 x2
- ⑥ 10016

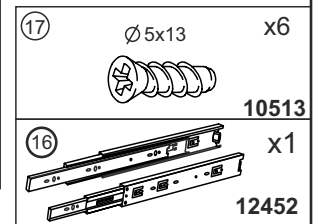
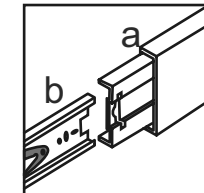
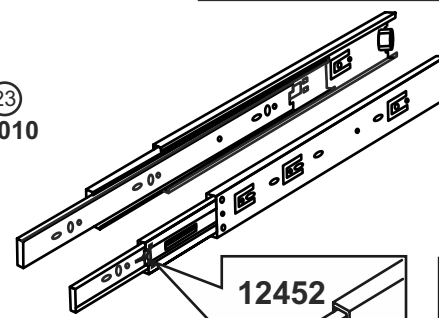
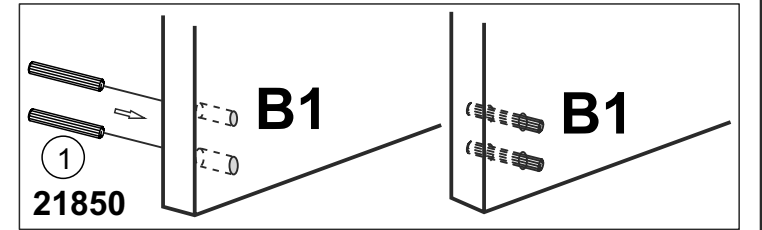
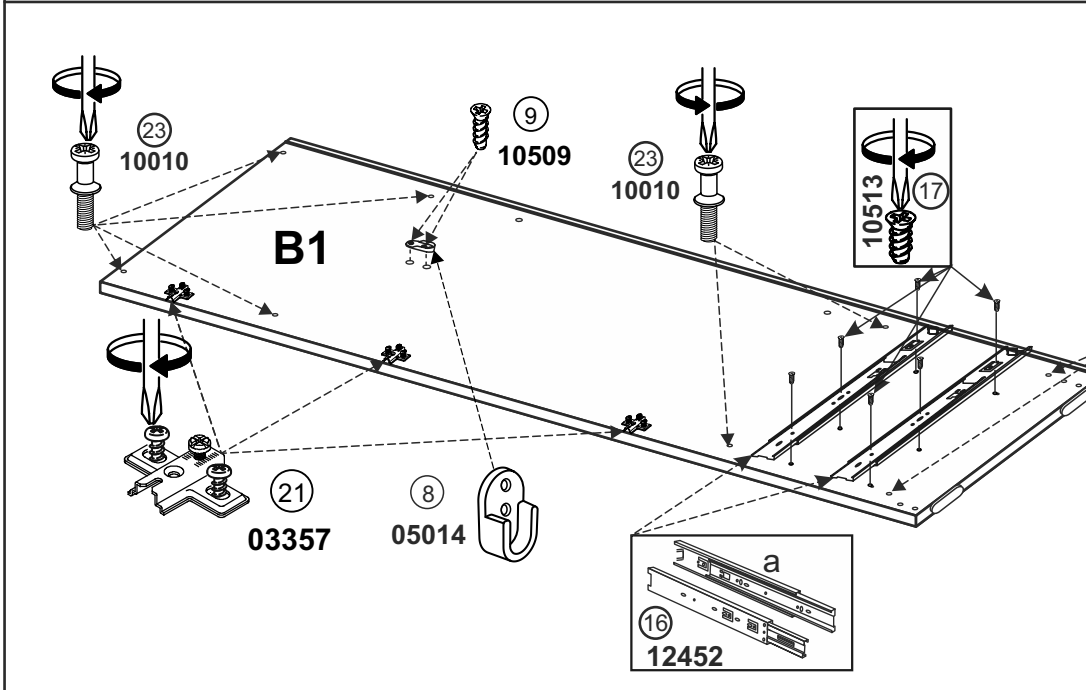
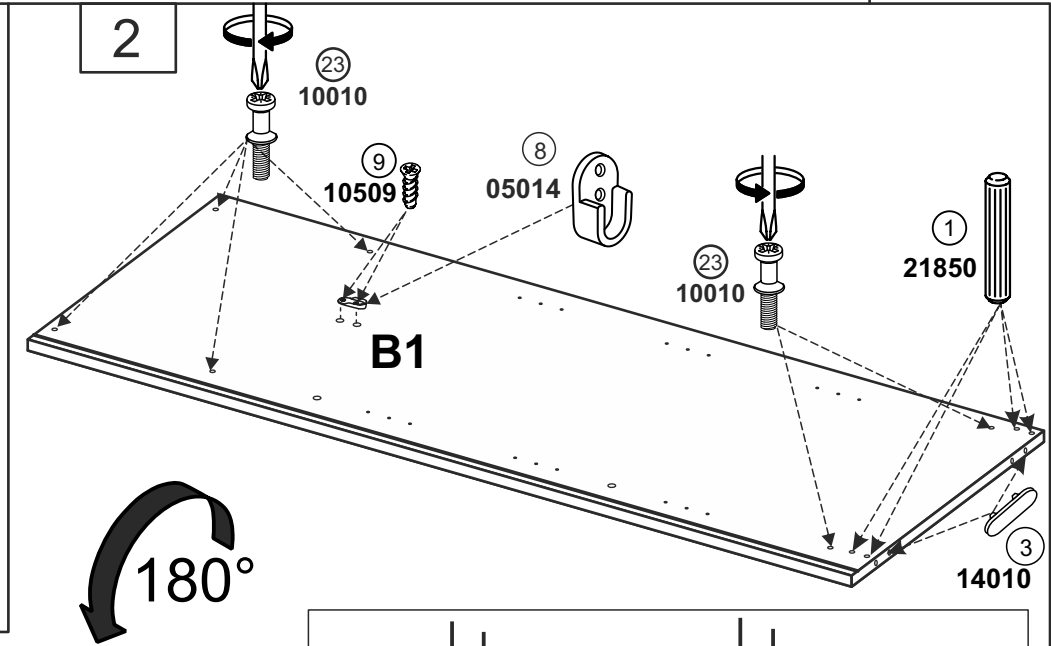
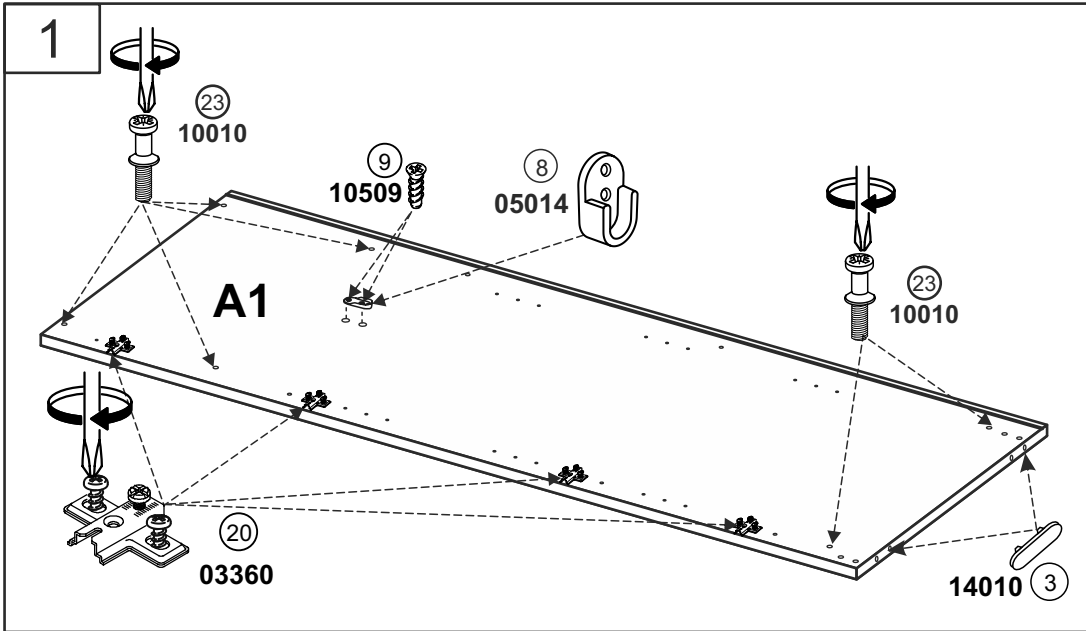




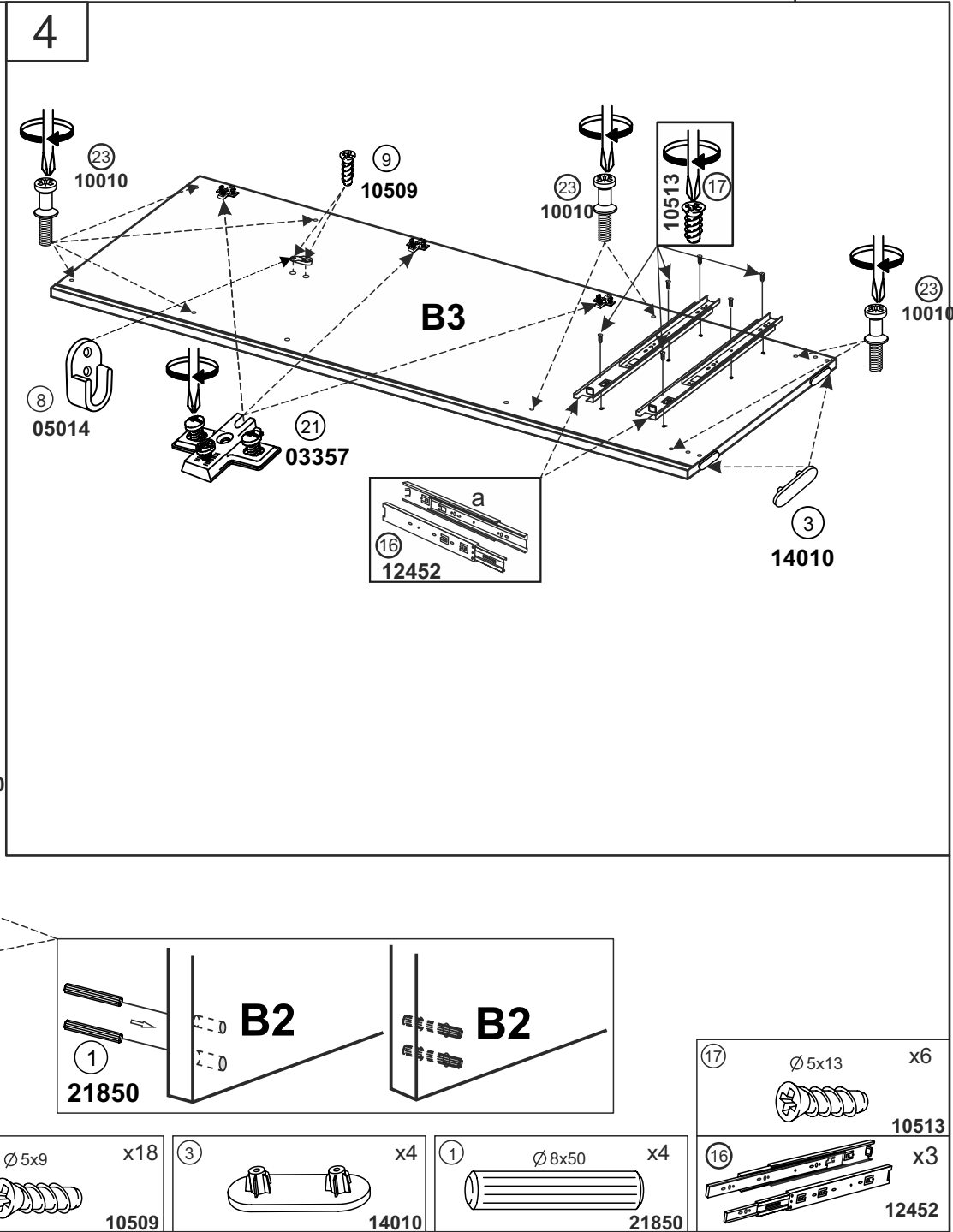
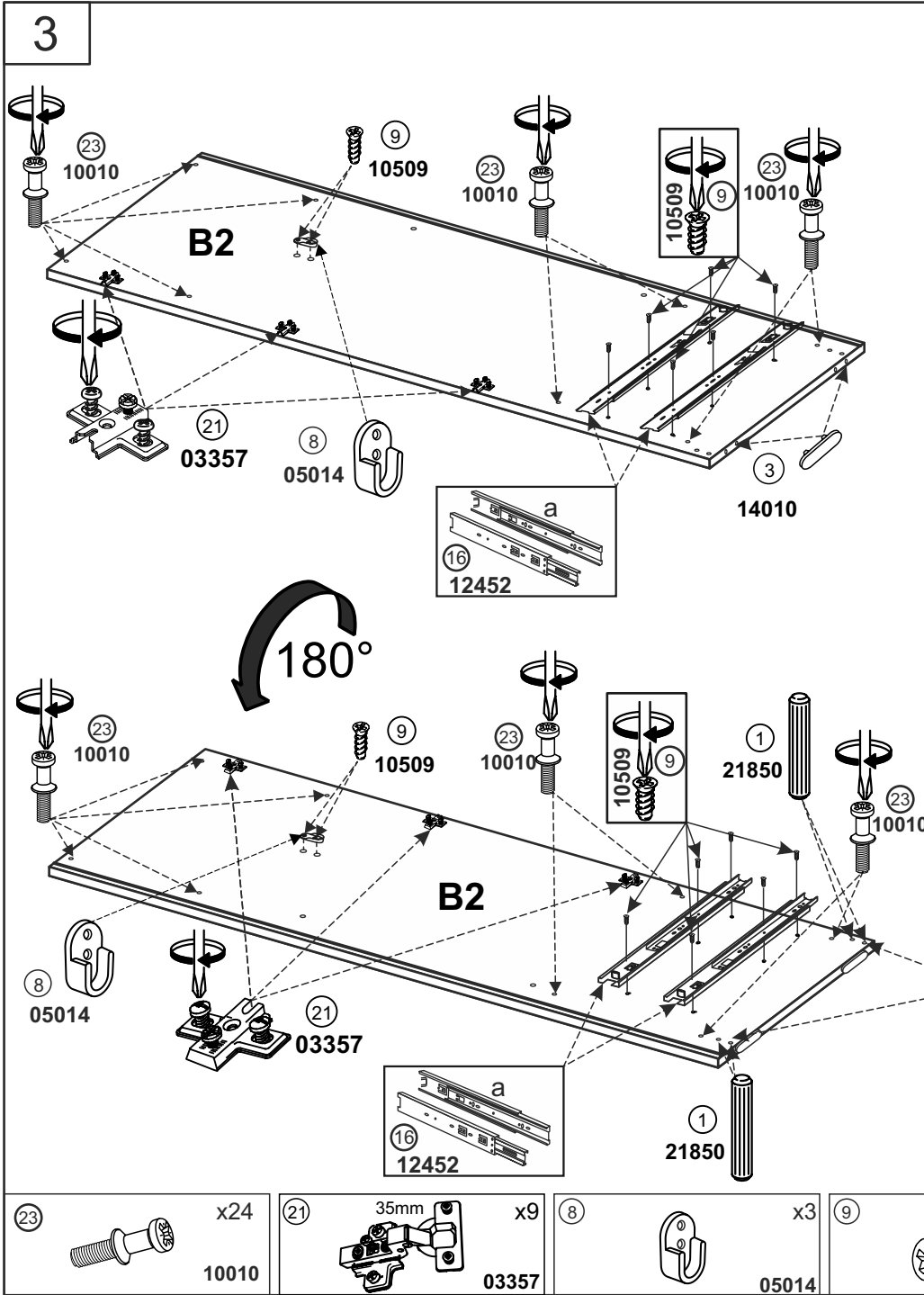
A1-	2102	x	530	x16	-	x	1	1/9
A2-	2102	x	530	x16	-	x	1	1/9
B1-	2102	x	530	x16	-	x	1	3/9
B2-	2102	x	530	x16	-	x	1	2/9
B3-	2102	x	530	x16	-	x	1	3/9
C1-	880	x	530	x16	-	x	4	5/9
C2-	880	x	516	x16	-	x	2	4/9
C3-	880	x	514	x16	-	x	2	4/9
D1-	424	x	530	x16	-	x	4	5/9
D2-	424	x	516	x16	-	x	2	4/9
E1-	2028	x	434	x16	-	x	2	2/9
E2-	2028	x	890	x16	-	x	2	2/9
F1-	424	x	50	x16	-	x	4	4/9
F2-	880	x	50	x16	-	x	4	4/9
H1-	1554	x	444	x16	-	x	1	8/9
H2-	1554	x	444	x16	-	x	1	9/9
J1-	1554	x	444	x16	-	x	1	8/9
J2-	1554	x	444	x16	-	x	1	9/9
K-	2046	x	444	x16	-	x	1	7/9
L-	2046	x	444	x16	-	x	1	7/9
M-	822	x	130	x16	-	x	4	6/9
N1-	892	x	242	x16	-	x	2	6/9
N2-	892	x	242	x16	-	x	2	6/9
O-	400	x	130	x16	-	x	4	6/9
P-	400	x	130	x16	-	x	4	6/9
R-	834	x	396	x16	-	x	4	2/9
V1-	417				-	x	2	4/9
V2-	873				-	x	2	4/9



①  $\varnothing 8 \times 50$ x12 21850	②  $\varnothing 8 \times 30$ x40 21008	③  x10 14010	④  $\varnothing 4 \times 16$ x40 10416	⑤  x16 01001	⑥  x8 11016	⑦  x8 11002
⑧  x8 05014	⑨  $\varnothing 5 \times 9$ x28 10509	⑩  x2 08011	⑪  $\varnothing 4.2 \times 13$ x24 10413	⑫  $\varnothing 8 \times 60$ x2 10016	⑬  $\varnothing 5 \times 60$ x2 10443	⑭  x16 05030
⑮  $\varnothing 6.3 \times 10$ x16 10615	⑯  x4 12452	⑰  $\varnothing 5 \times 13$ x36 10513	⑱  $\varnothing 6.4 \times 50$ x8 07650	⑲  x1 07001	⑳  35mm x8 03360	㉑  35mm x12 03357
㉒  x4 05450	㉓  x56 10010	㉔  x6 19057	㉕  x2 19067	㉖  $\varnothing 3.5 \times 15$ x4 10315	㉗  x1	



- | | | | | | | | | | | | | | | | | | | | | | | | | | | | |
|----|--|-----|-------|----|--|----|-------|----|--|----|-------|---|--|----|-------|---|--|----|-------|---|--|----|-------|---|--|----|-------|
| 23 | | x20 | 10010 | 20 | | x4 | 03360 | 21 | | x3 | 03357 | 8 | | x3 | 05014 | 9 | | x6 | 10509 | 1 | | x4 | 21850 | 3 | | x4 | 14010 |
|----|--|-----|-------|----|--|----|-------|----|--|----|-------|---|--|----|-------|---|--|----|-------|---|--|----|-------|---|--|----|-------|



- (23) x24
10010

- (21) x9
35mm
03357

- (8) x3
05014

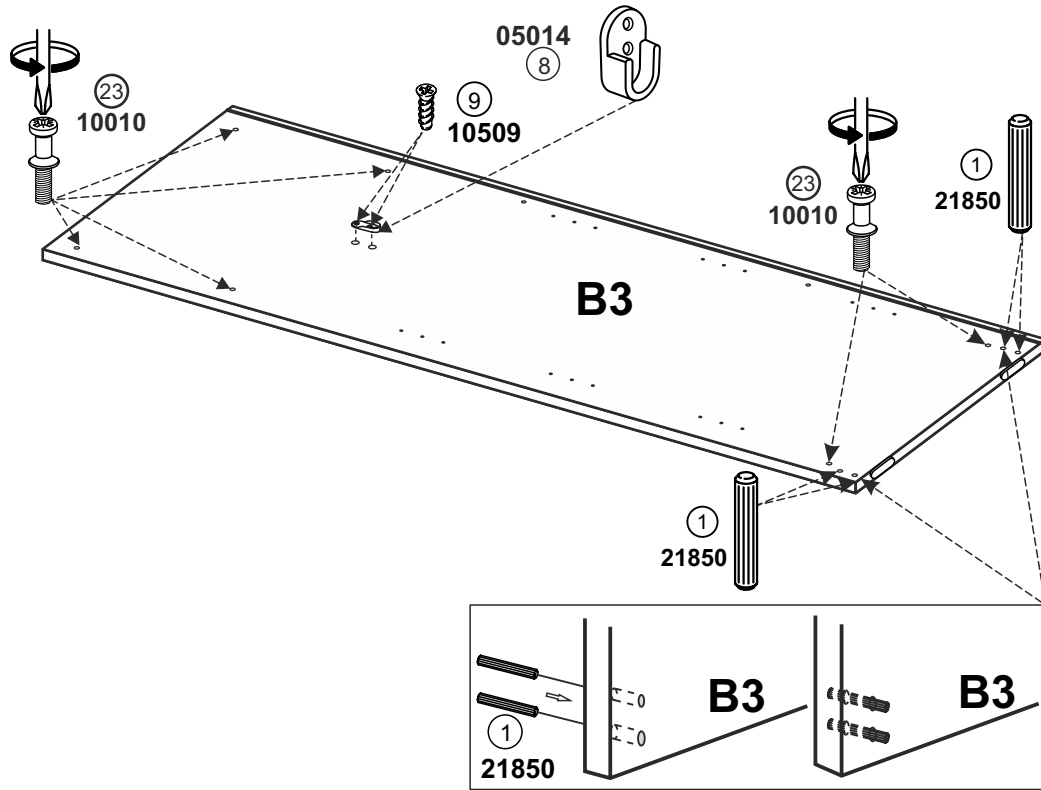
- (9) x18
Ø5x9
10509

- (3) x4
14010

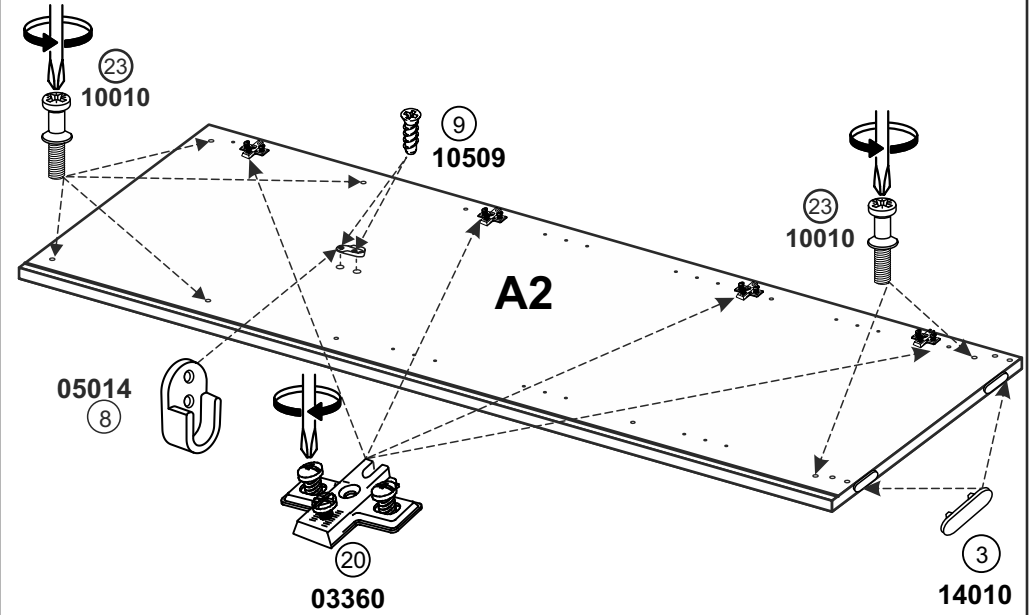
- (1) x4
Ø8x50
21850

- (17) x6
Ø5x13
10513
- (16) x3
12452

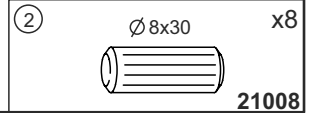
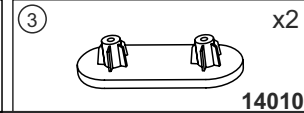
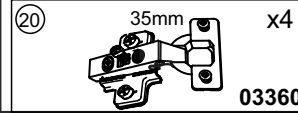
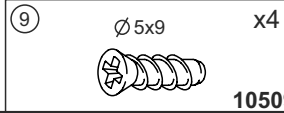
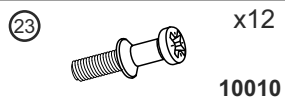
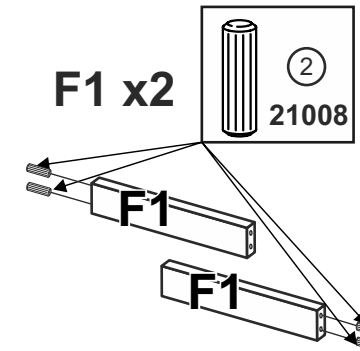
5



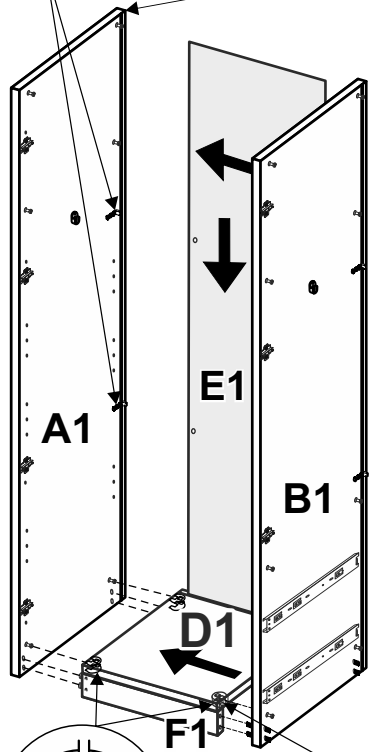
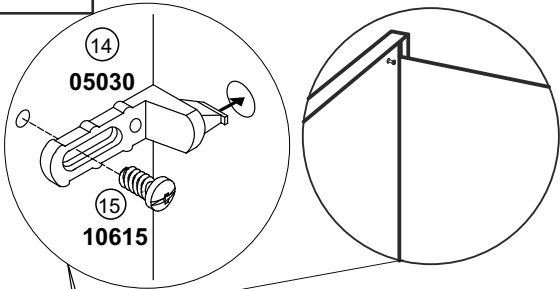
6



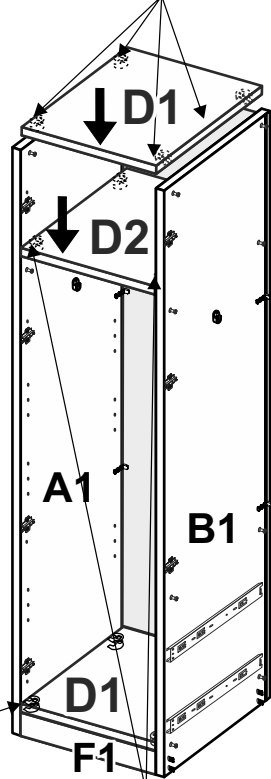
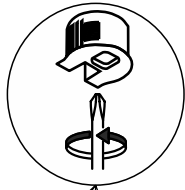
7



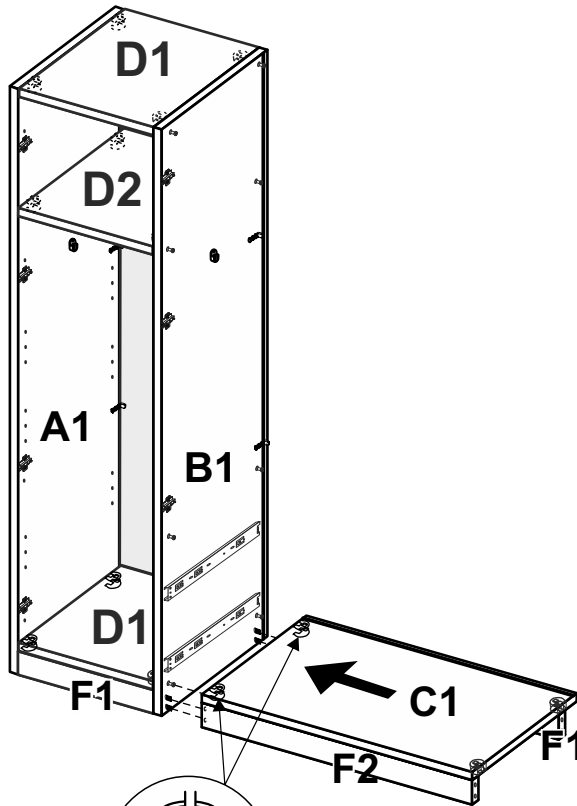
8



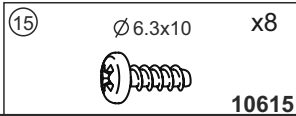
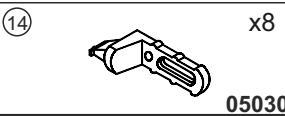
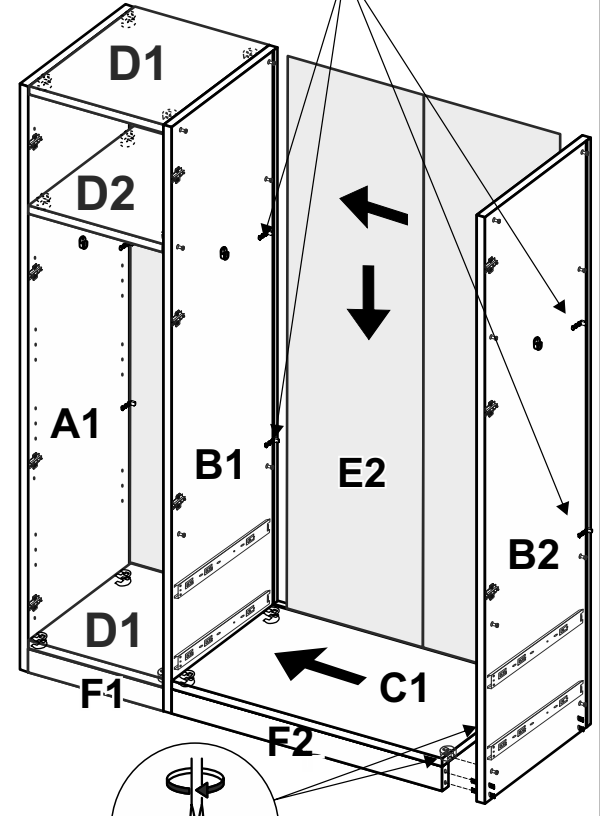
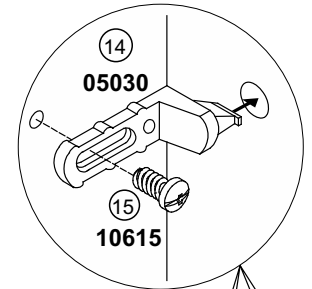
9



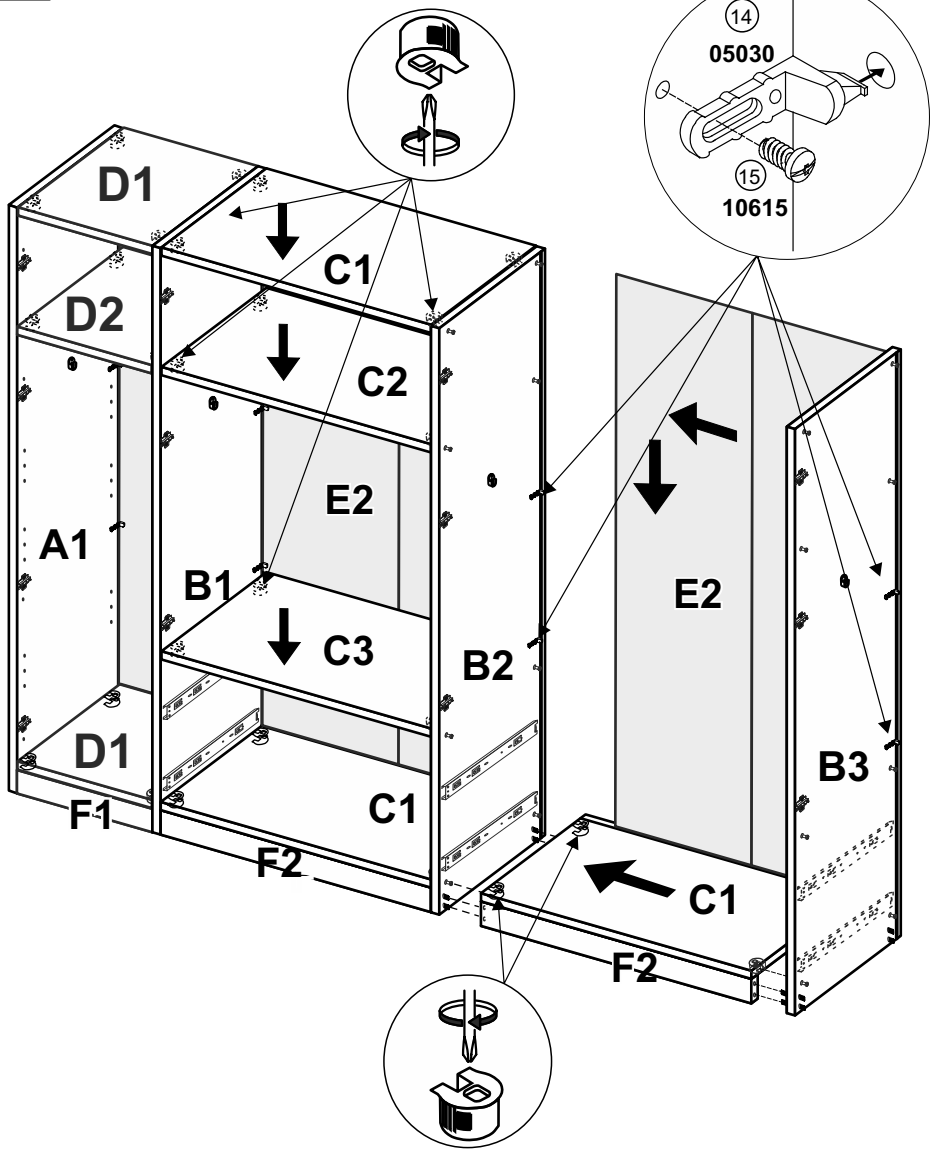
10



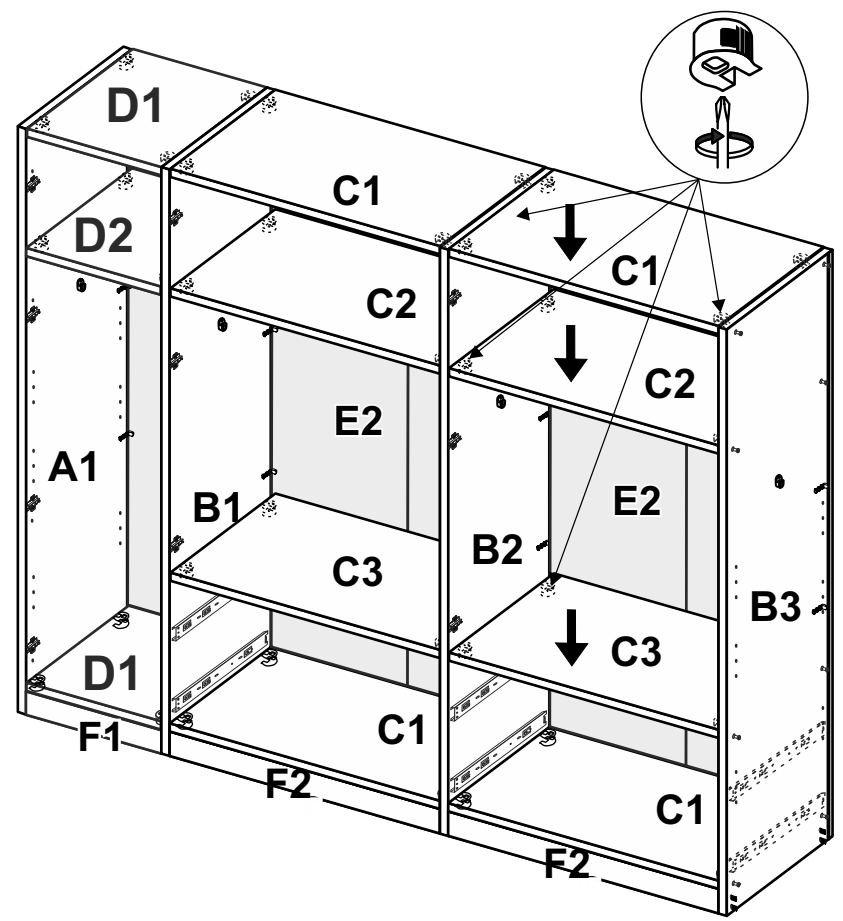
11



12

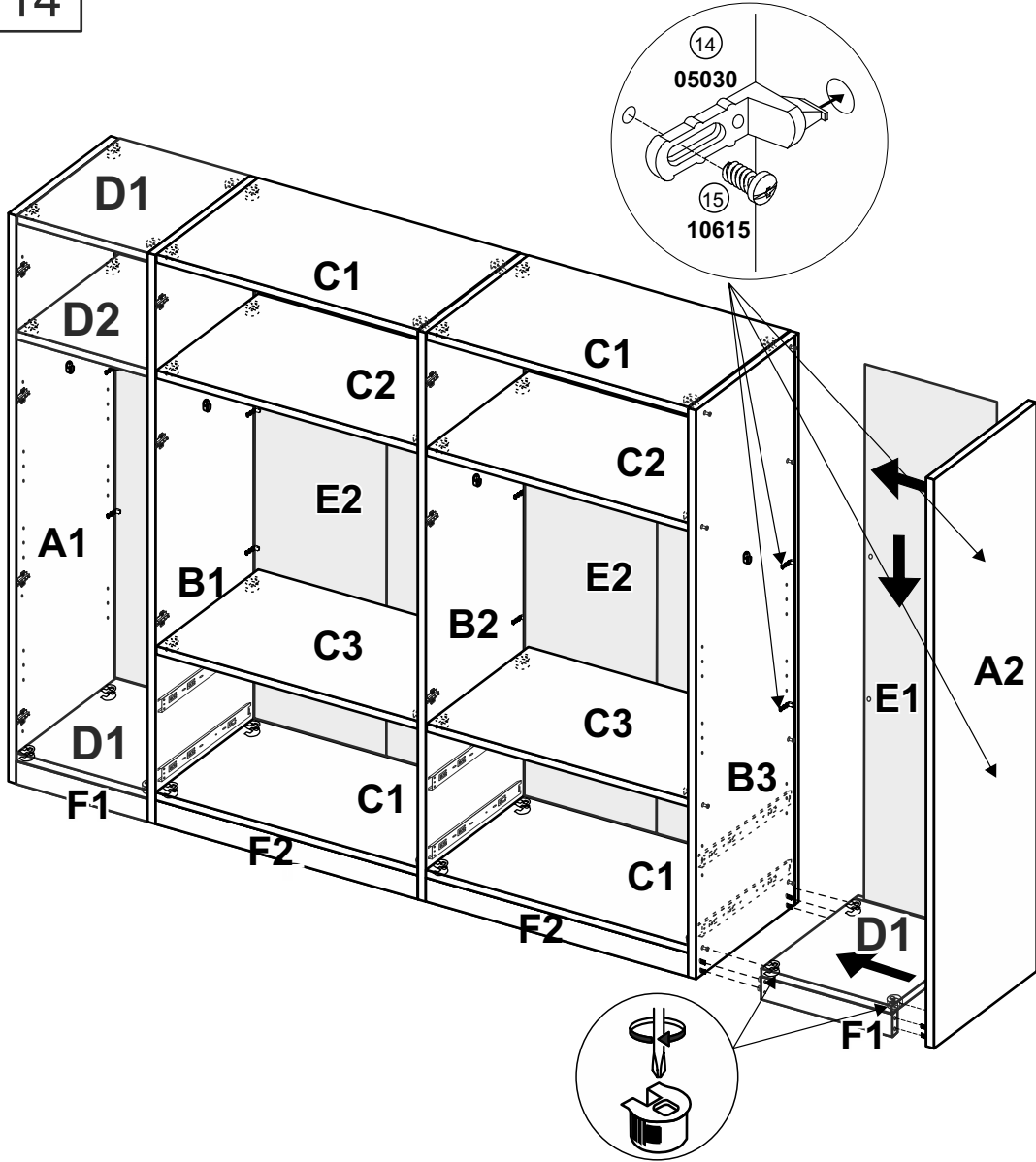


13

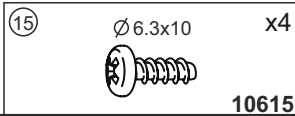
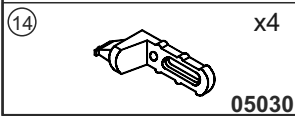
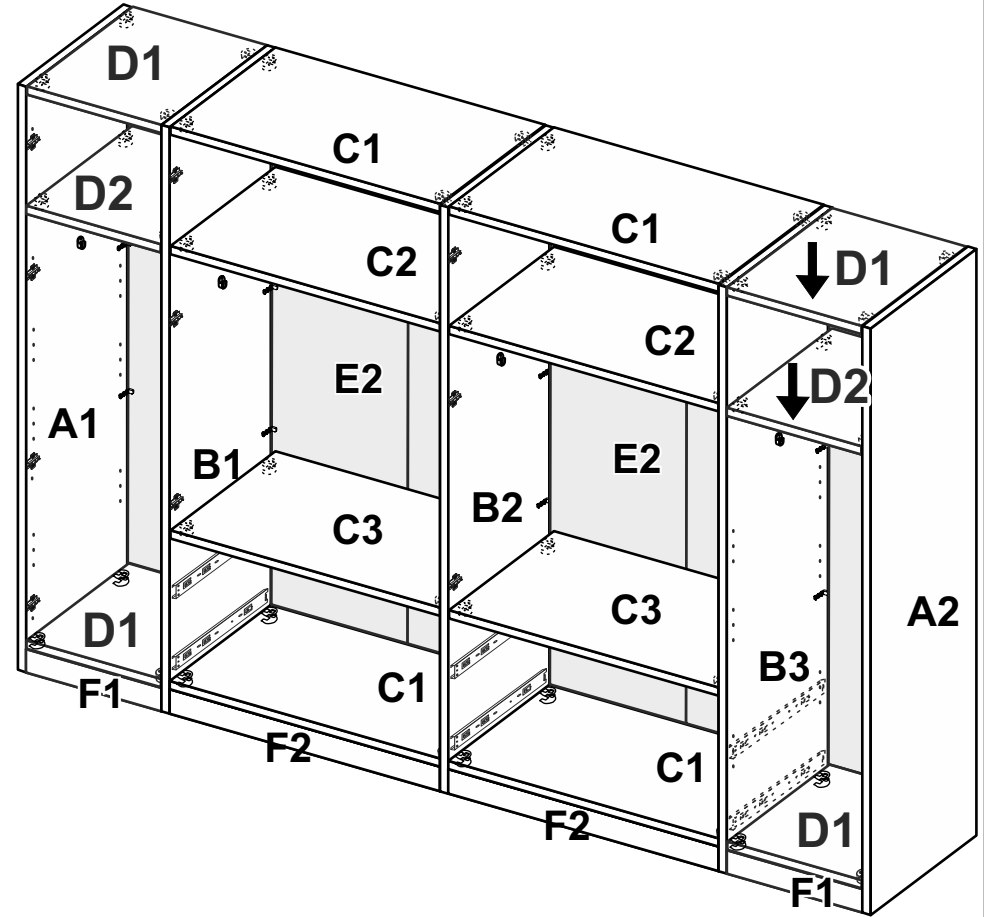


- | | |
|--------------------------|----------------------------------|
| <p>(14) x4
05030</p> | <p>(15) Ø6.3x10 x4
10615</p> |
|--------------------------|----------------------------------|

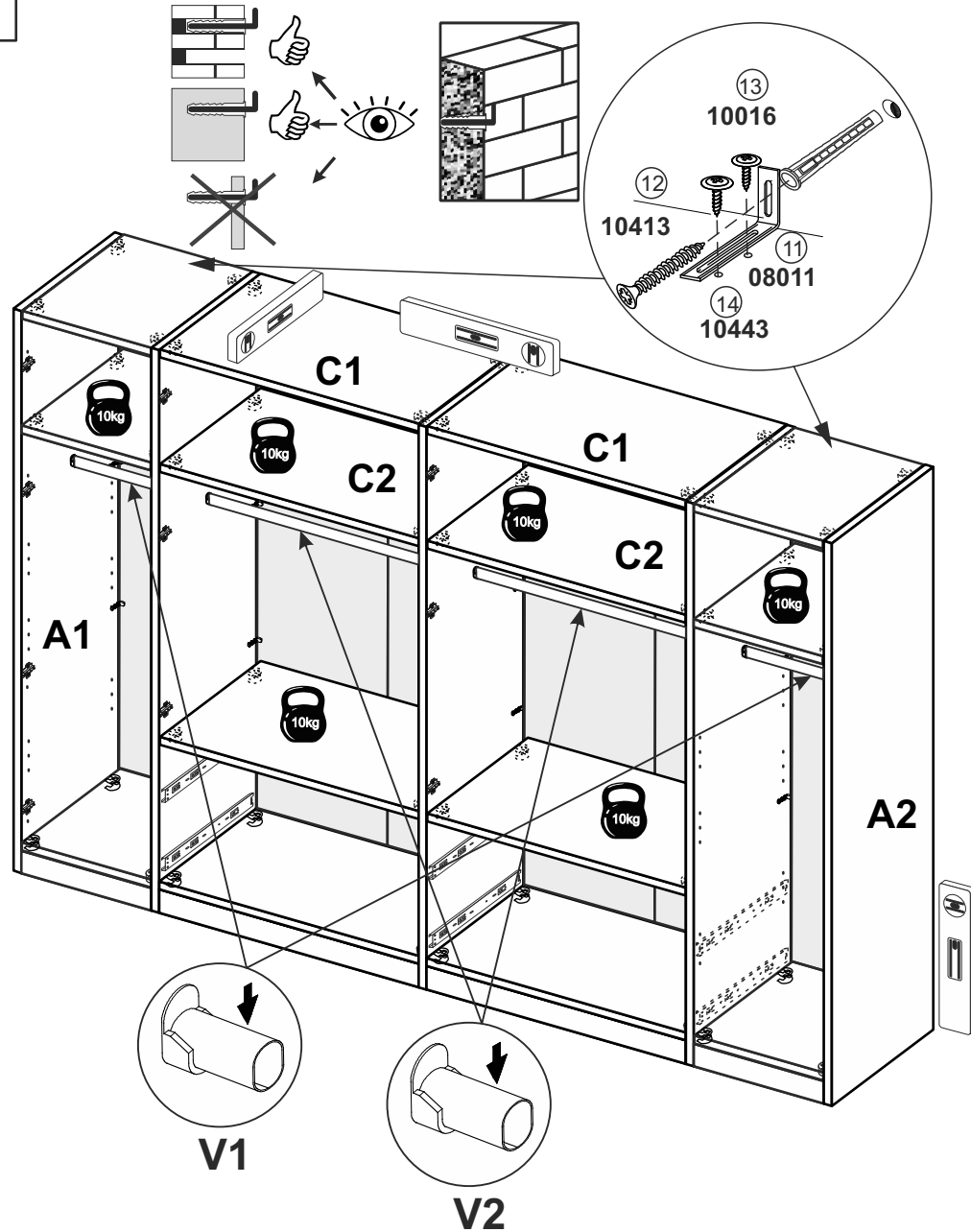
14



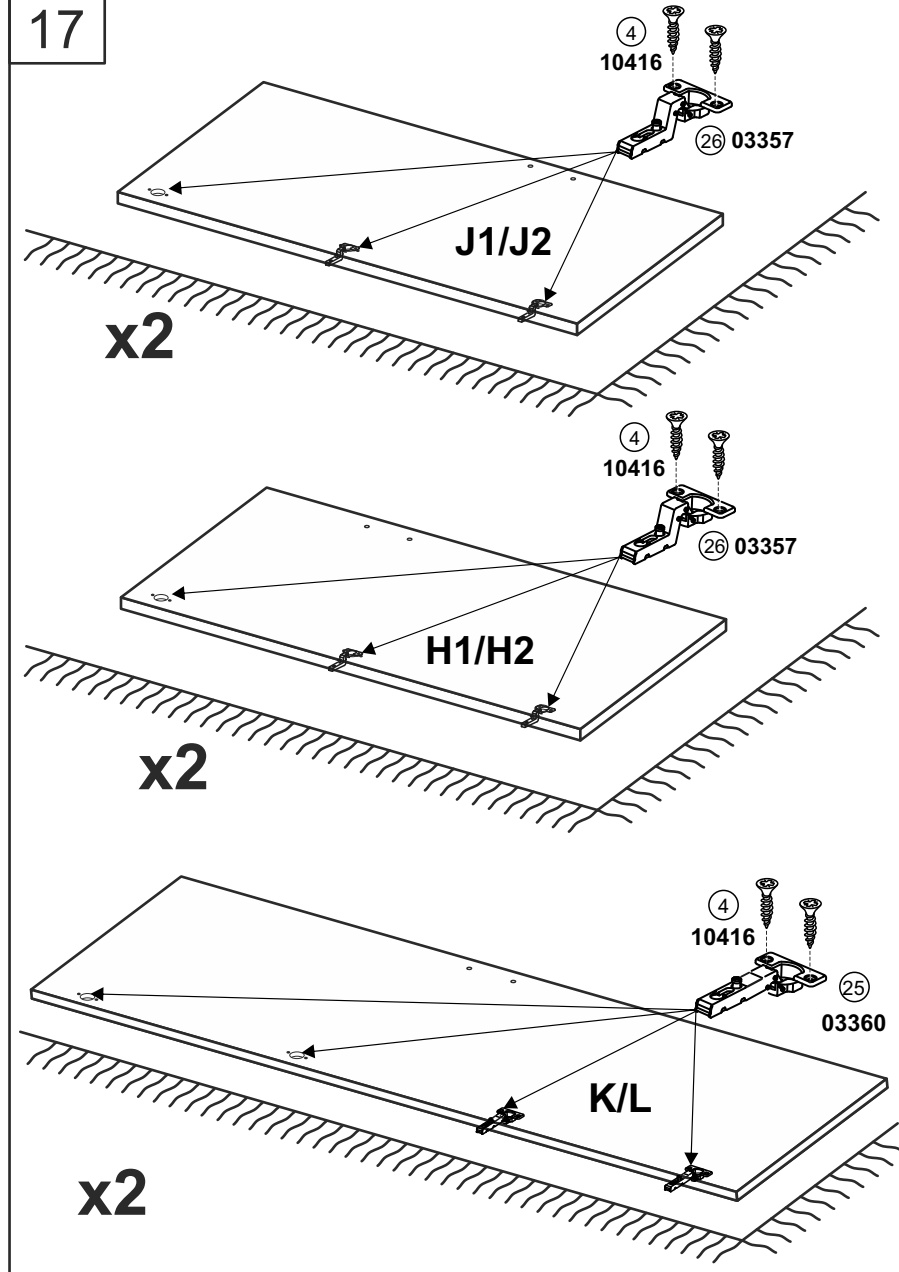
15

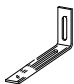





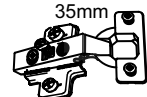
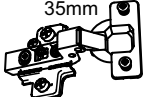
16



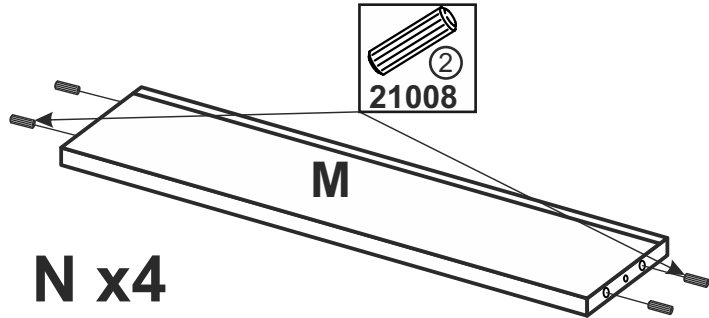
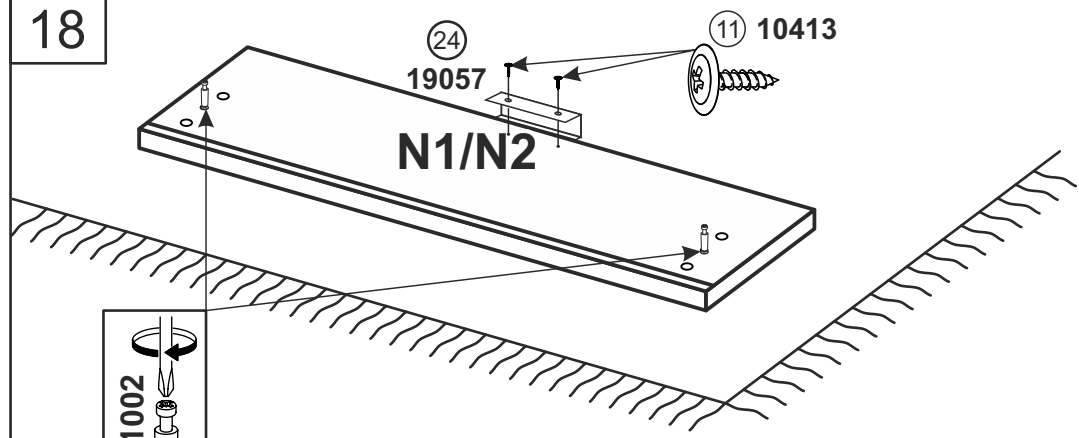
17



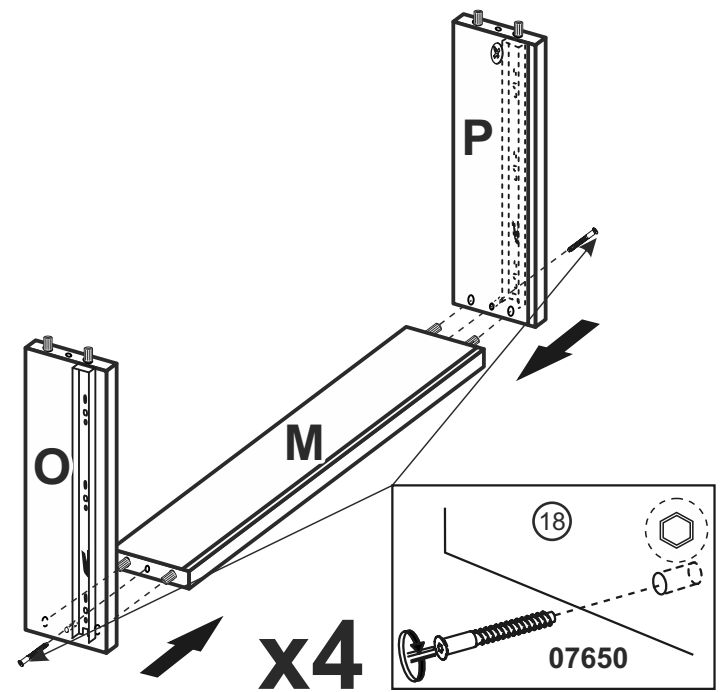
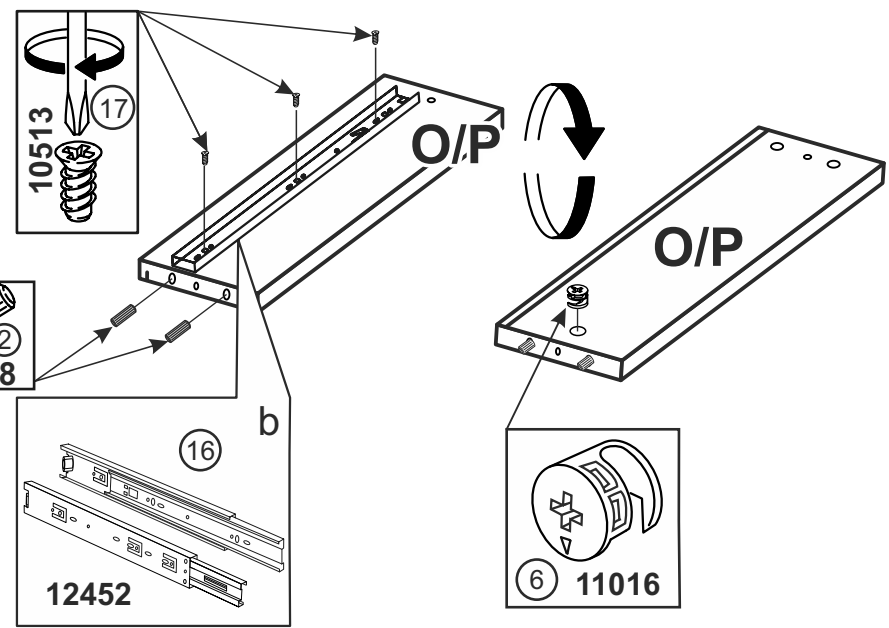
- (10)  x2
- (11)  Ø4.2x13 x4
- (12)  Ø8x60 x2
- (13)  Ø5x60 x2

- (20)  35mm x8
- (21)  35mm x12

18

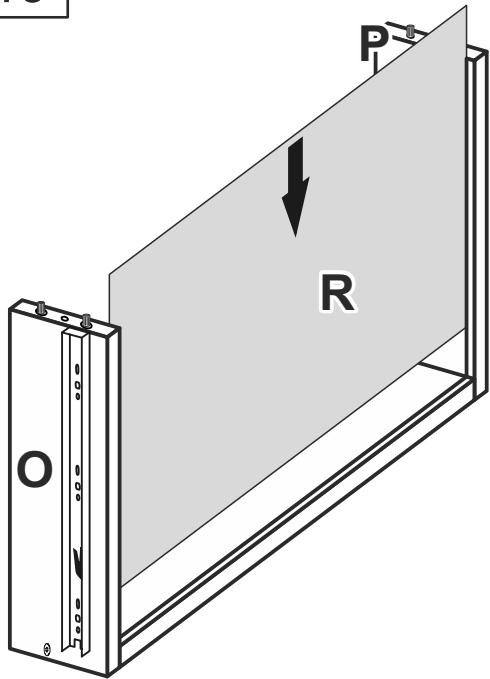


N x4
M x4
O x4
P x4

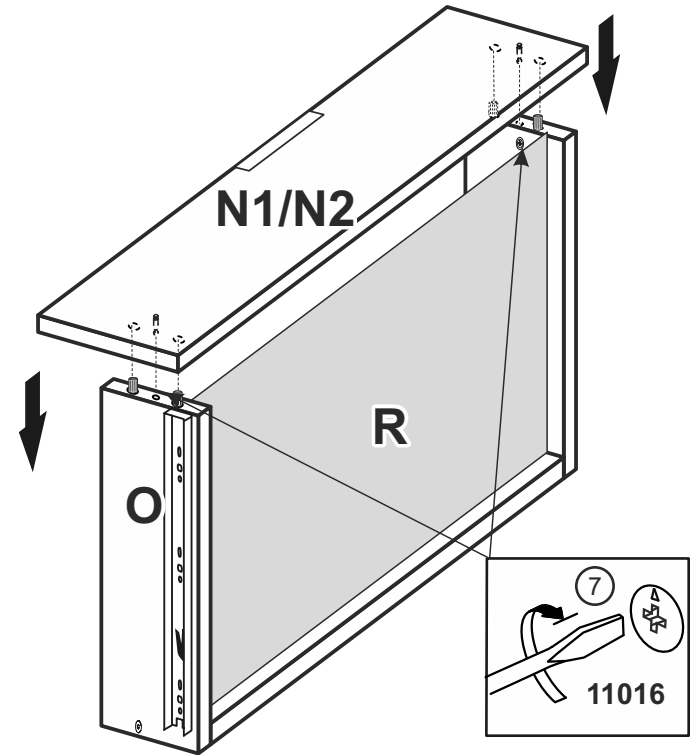
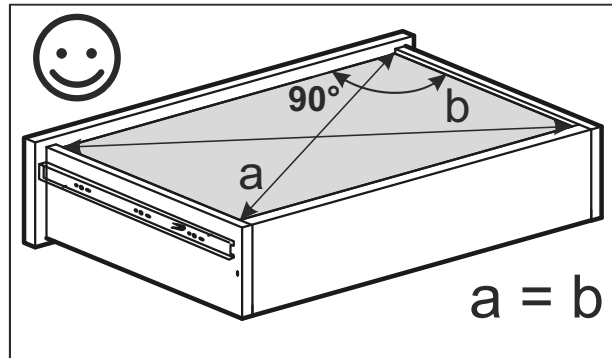


- | | | | | | | | | | | | | | | | |
|-------|----|-------|----------|-------|---|-------|---|--------|-----|-------|----------|----|----|--------|-----|
| 24 | x4 | 11 | Ø 4.2x13 | x16 | 7 | x8 | 2 | Ø 8x30 | x32 | 18 | Ø 6,4x50 | x8 | 17 | Ø 5x13 | x24 |
| 19057 | | 10413 | | 11002 | | 21008 | | 07650 | | 10513 | | | | | |

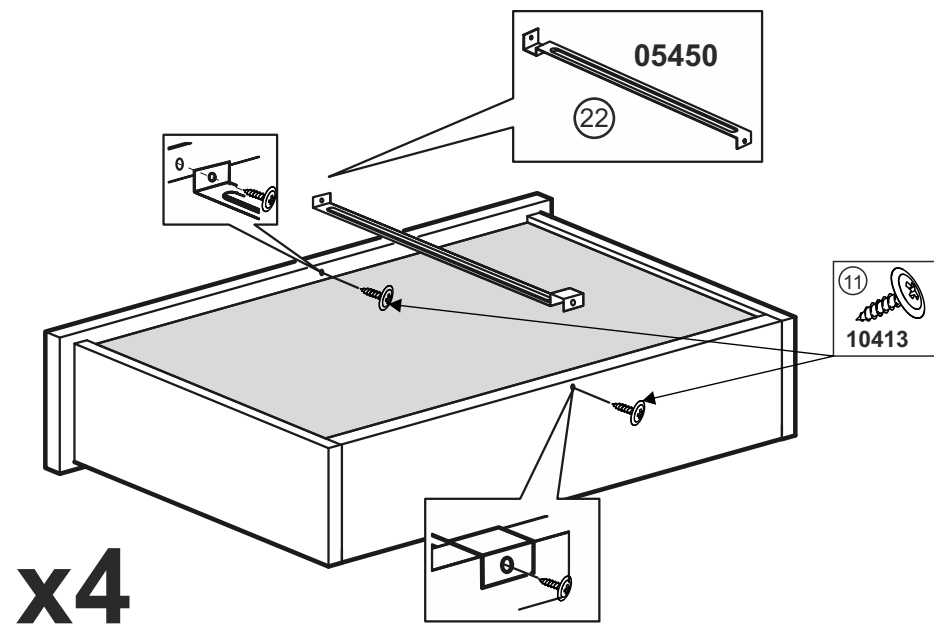
19





20

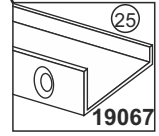
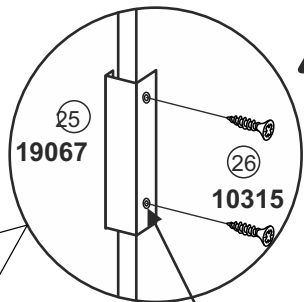
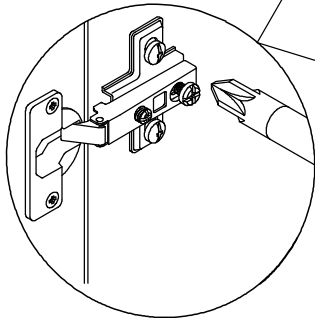
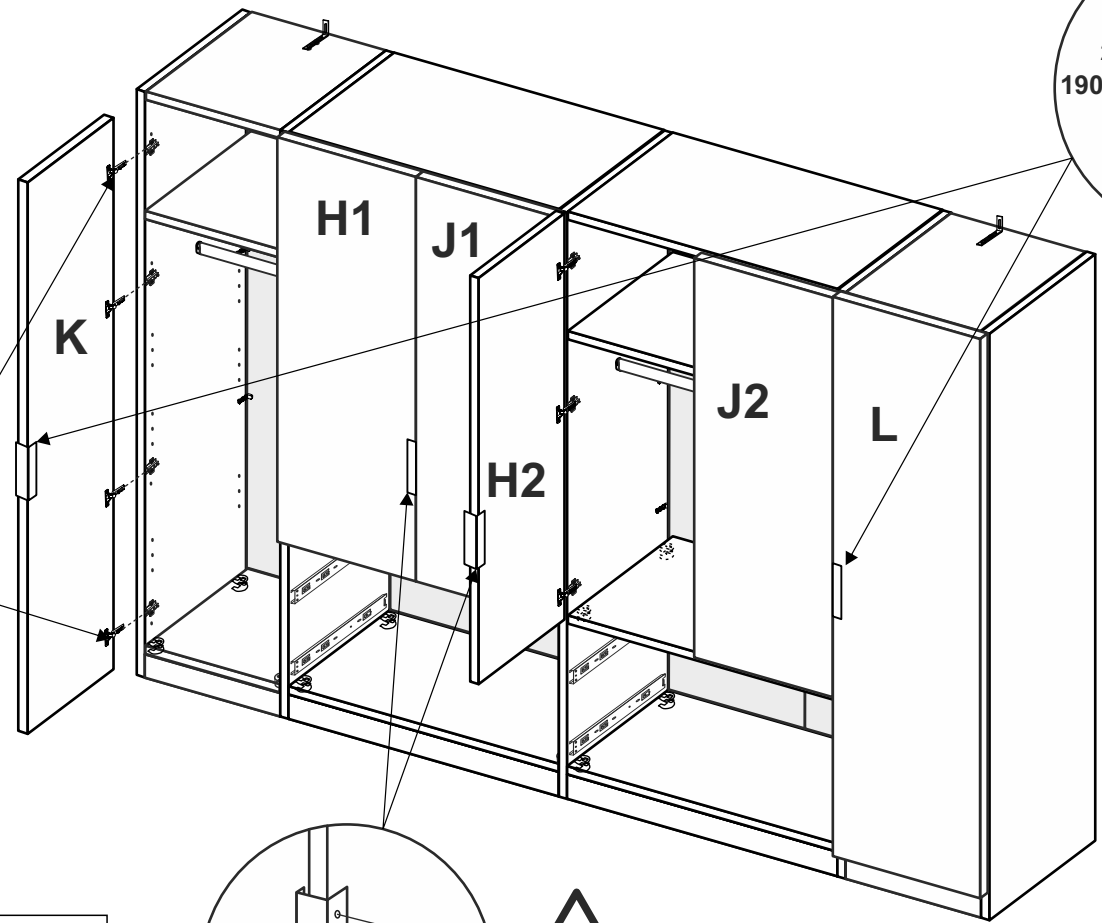


21

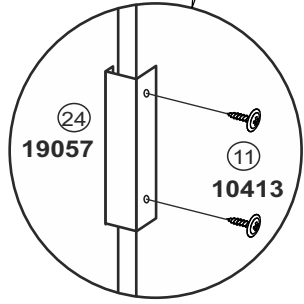


x4

	x4		x8
05450		Ø4.2x13	10413

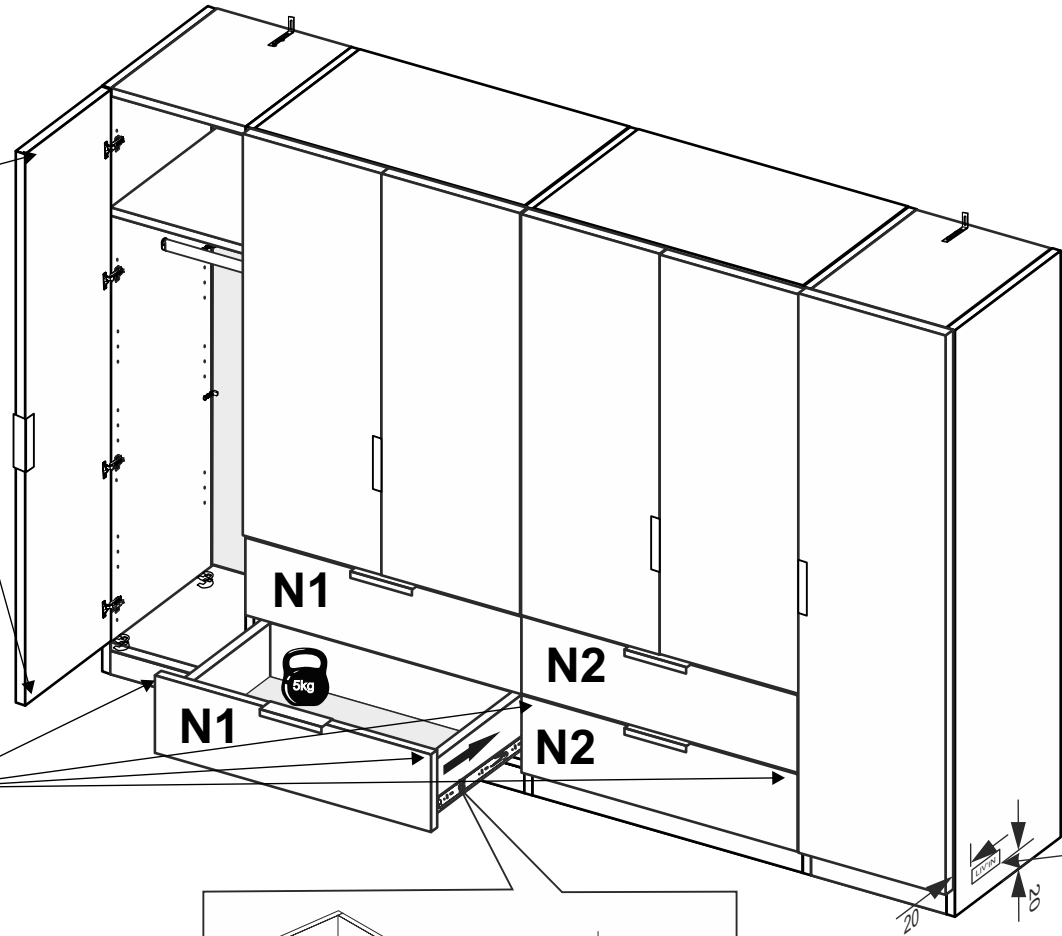
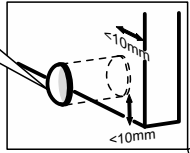


(25)		x2	(26)		x4
	19067			10315	
(24)		x2	(11)		x4
	19057			10413	

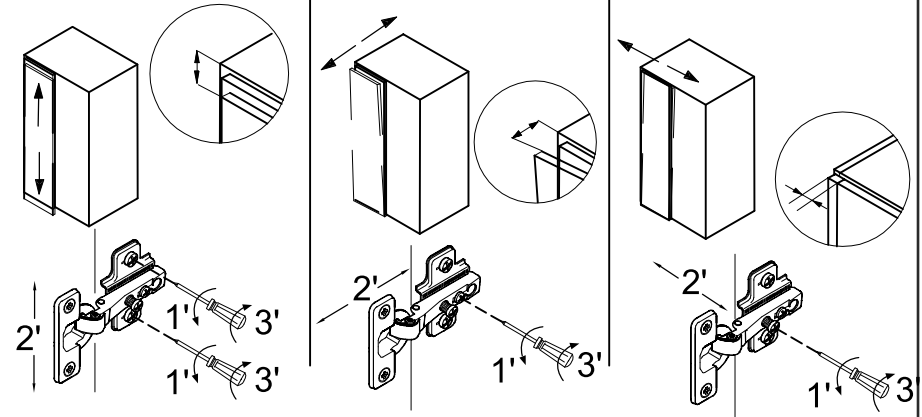
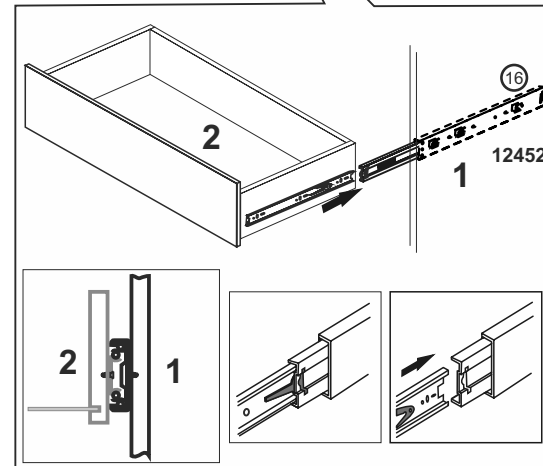
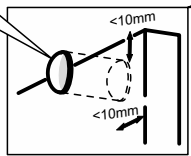


23

01001 (5)



01001 (5)



(5) x16
01001

