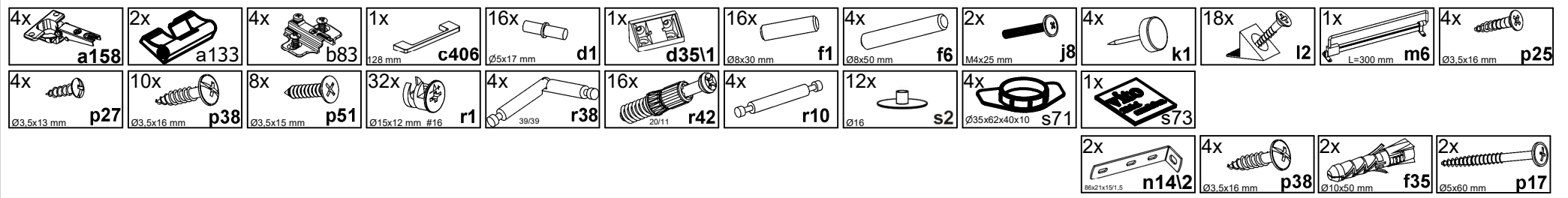
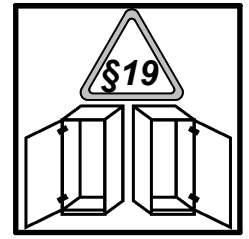
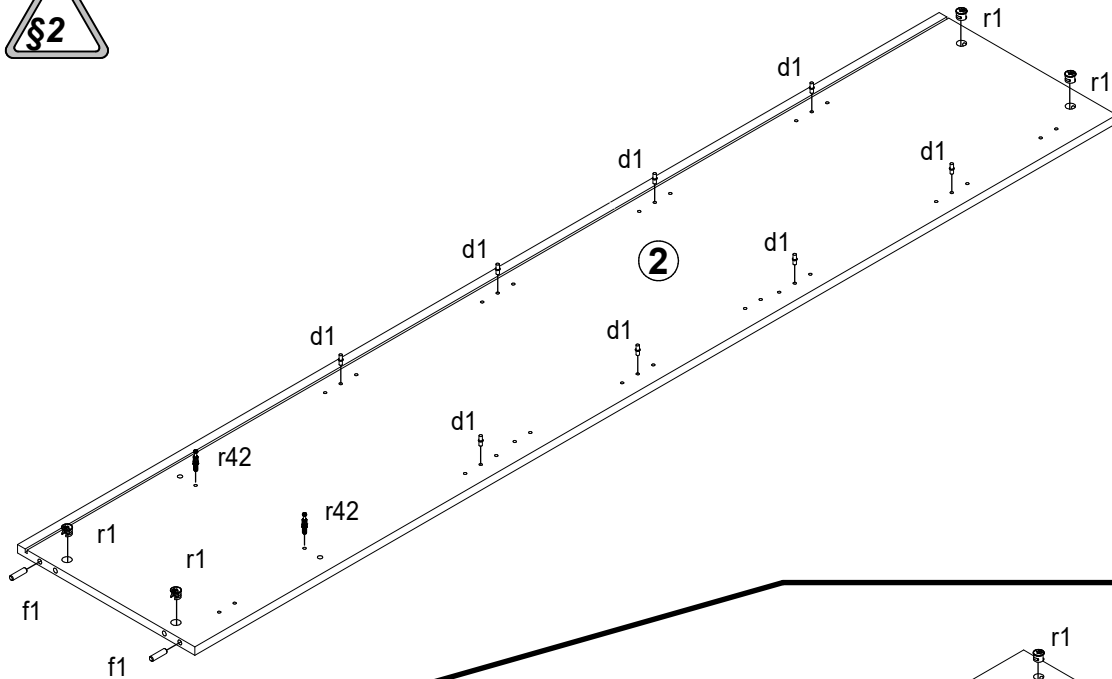


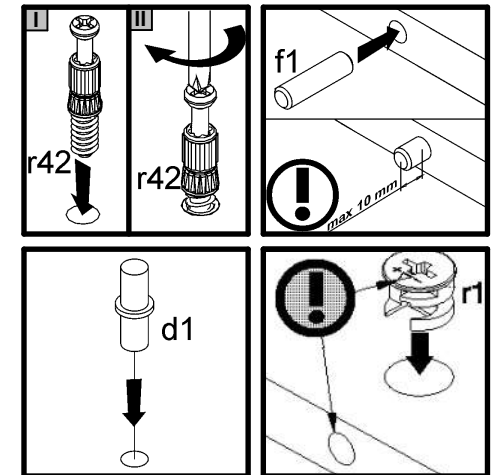
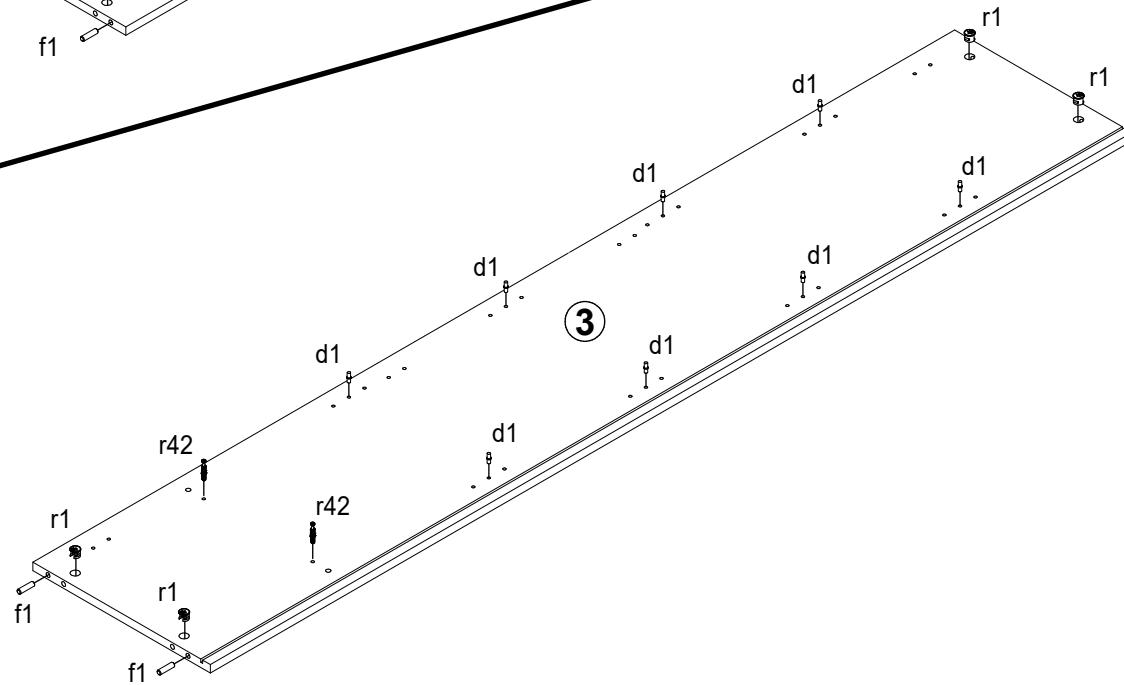
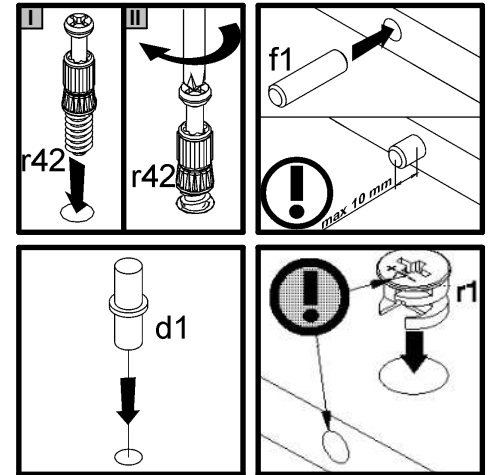
A	B	C (mm)		D
1	M211-0004	1890	603	2/2
2	M211-1006	1896,	365	2/2
3	M211-1007	1896,	365	2/2
4	M211-2002	677	420	1/2
5	M211-3006	577	345	1/2
6	M211-3007	576	335	1/2
7	M211-3008	577	345	1/2
8	M211-4002	577	50	1/2
9	M211-5852	384,	65,	1/2
10	M211-5853	384,	65,	1/2
11	M211-5854	615	65,	1/2
12	M211-9006	1937,	587	2/2



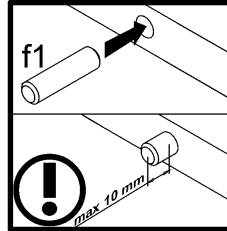
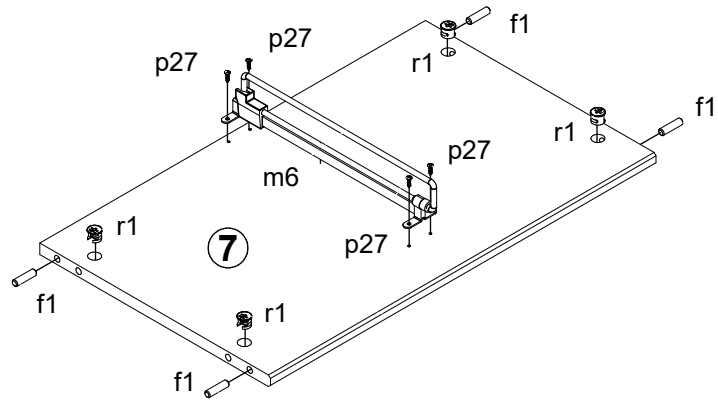
1 



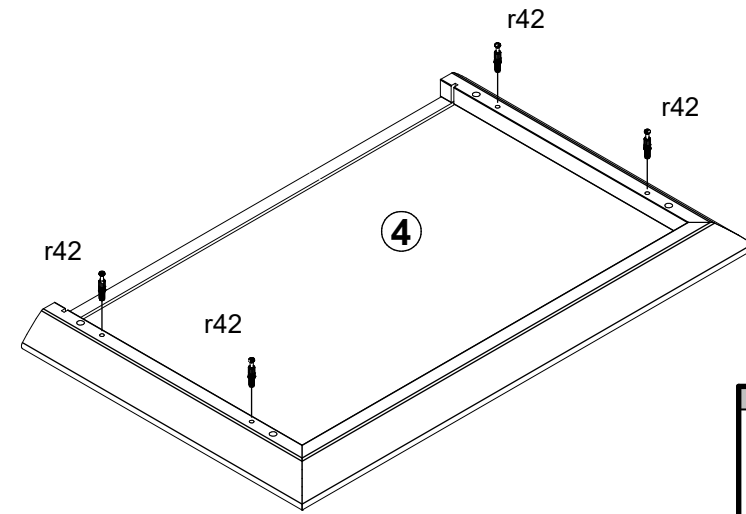
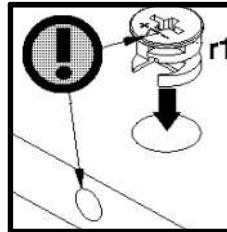
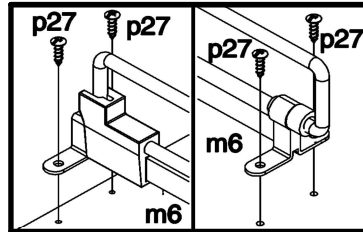
- |                      |                           |
|----------------------|---------------------------|
| 2x<br>Ø8x30 mm<br>f1 | 2x<br>20/11<br>r42        |
| 8x<br>Ø5x17 mm<br>d1 | 4x<br>Ø15x12 mm #16<br>r1 |



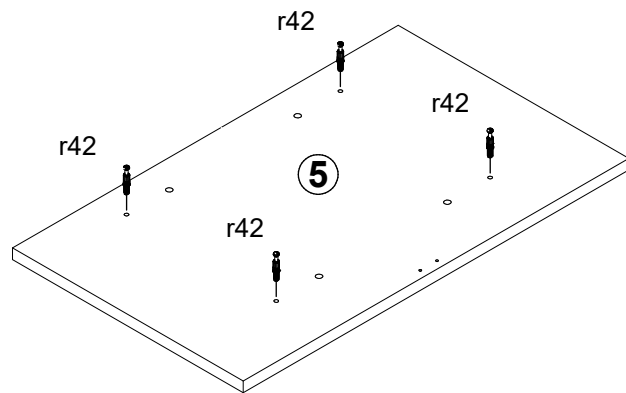
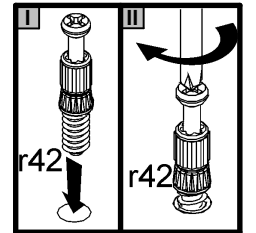
- |                      |                           |
|----------------------|---------------------------|
| 8x<br>Ø5x17 mm<br>d1 | 2x<br>20/11<br>r42        |
| 2x<br>Ø8x30 mm<br>f1 | 4x<br>Ø15x12 mm #16<br>r1 |



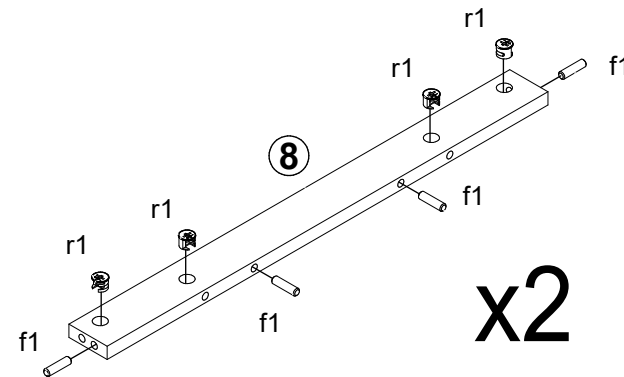
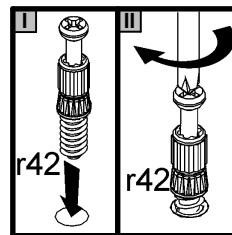
- 4x r1  $\varnothing 15 \times 12 \text{ mm}$  #16
- 4x f1  $\varnothing 8 \times 30 \text{ mm}$
- 4x p27  $\varnothing 3.5 \times 13 \text{ mm}$
- 1x m6 L=300 mm



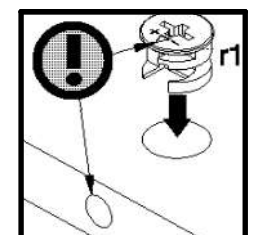
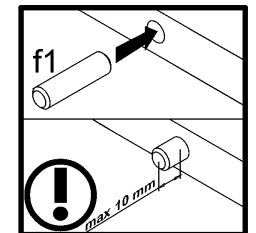
- 4x r42  $\varnothing 20 \times 11 \text{ mm}$

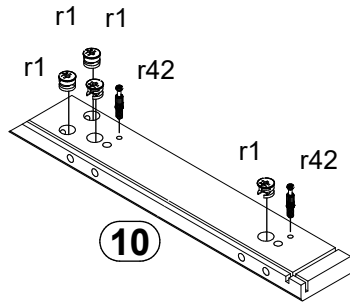
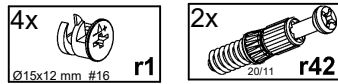


- 4x r42  $\varnothing 20 \times 11 \text{ mm}$

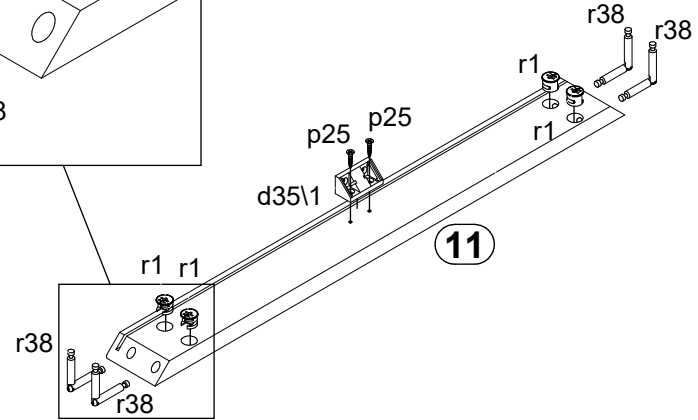
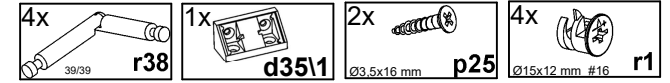
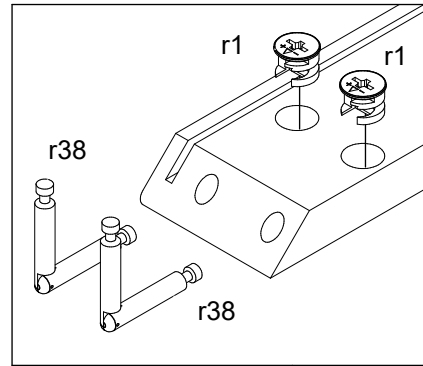
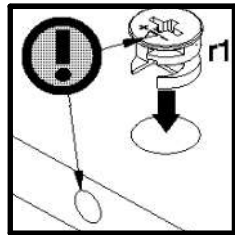
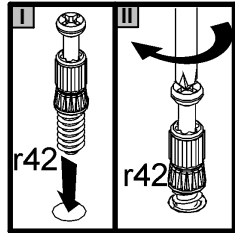


- 4x r1  $\varnothing 15 \times 12 \text{ mm}$  #16
- 4x f1  $\varnothing 8 \times 30 \text{ mm}$

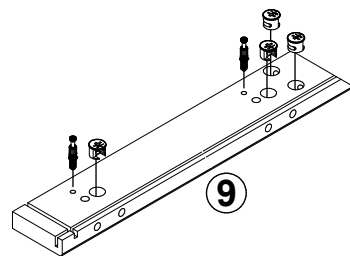
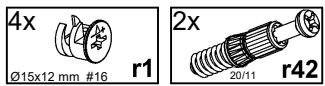
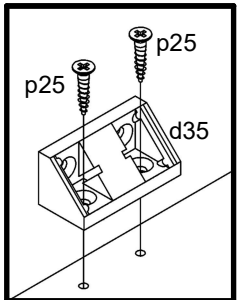
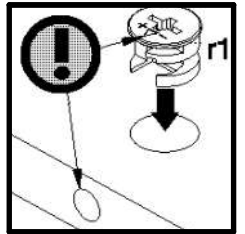




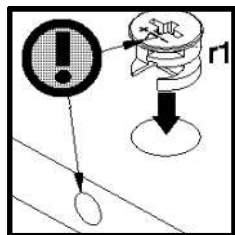
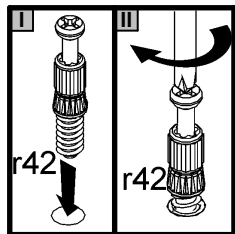
10



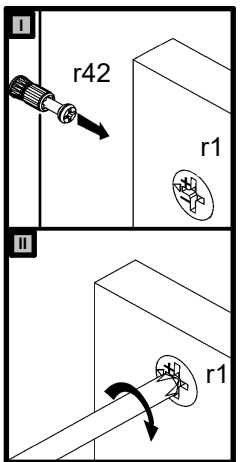
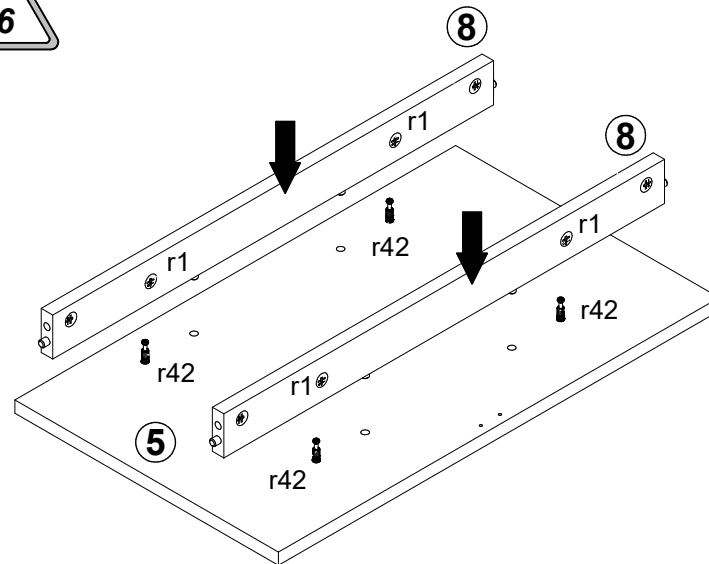
11



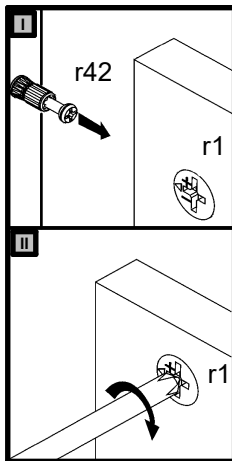
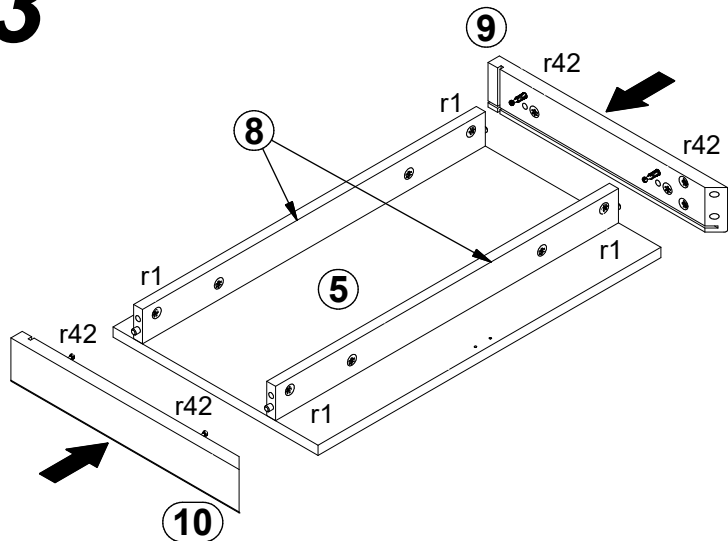
9



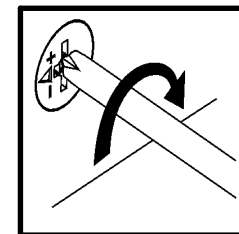
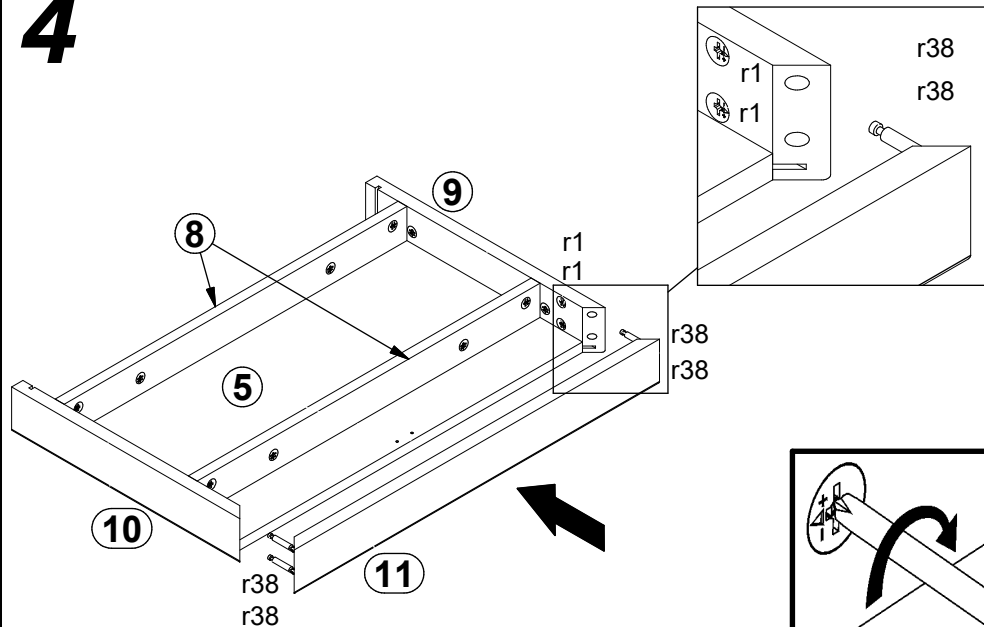
2



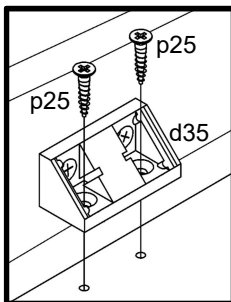
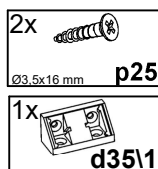
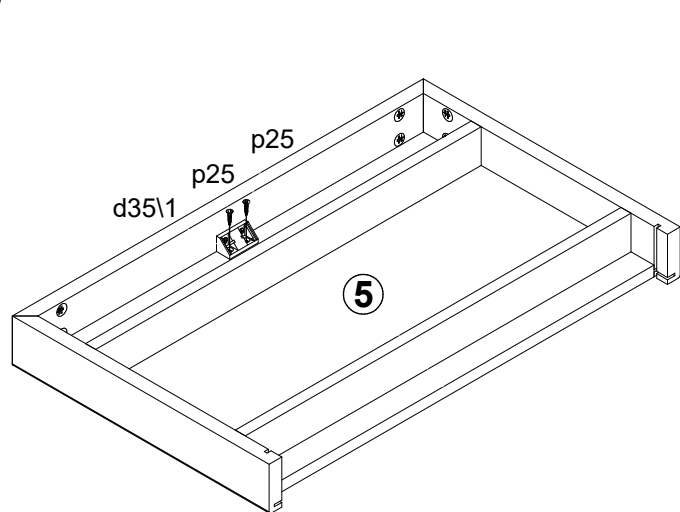
3



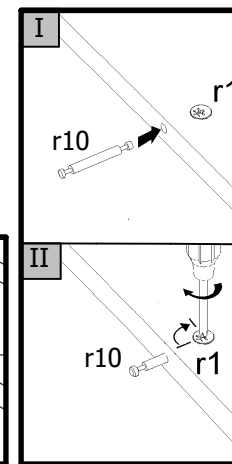
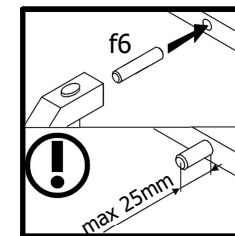
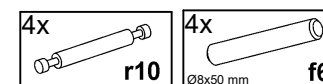
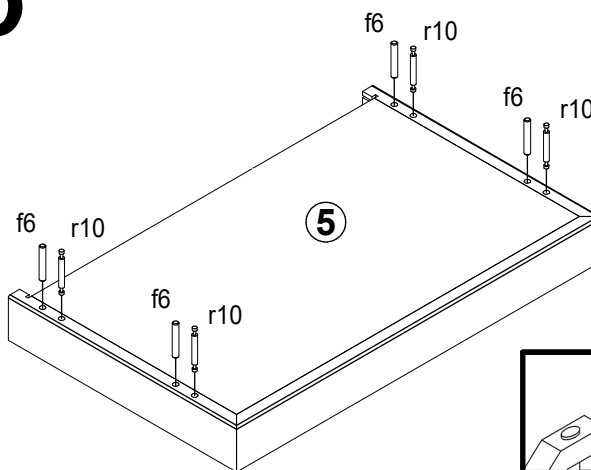
4



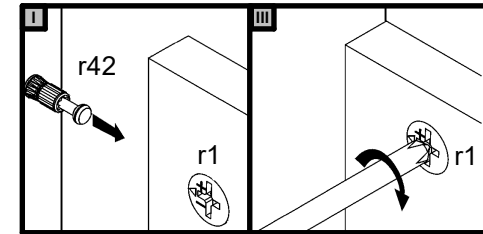
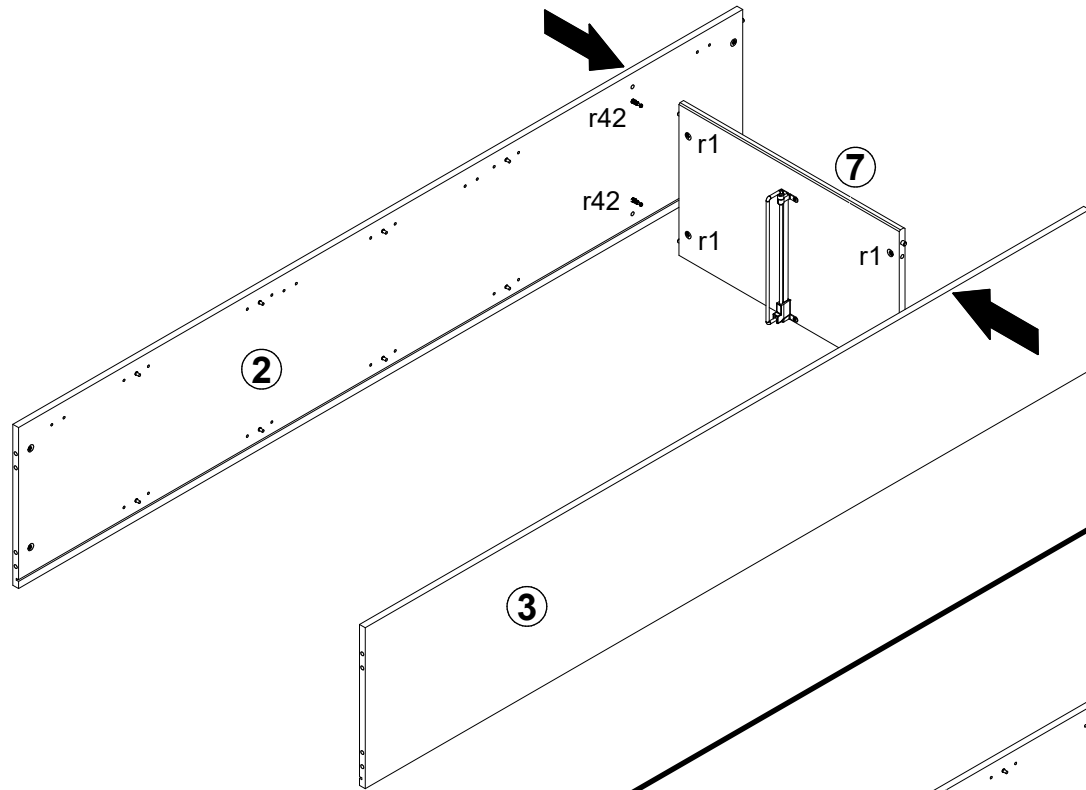
5



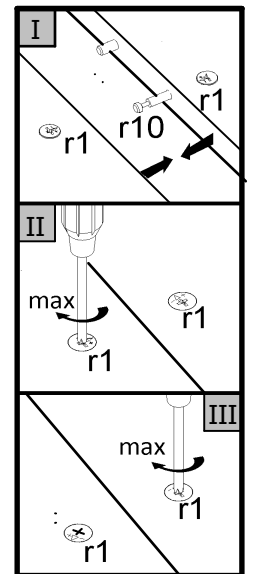
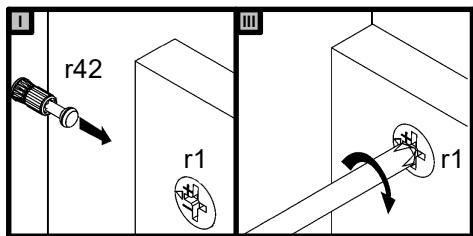
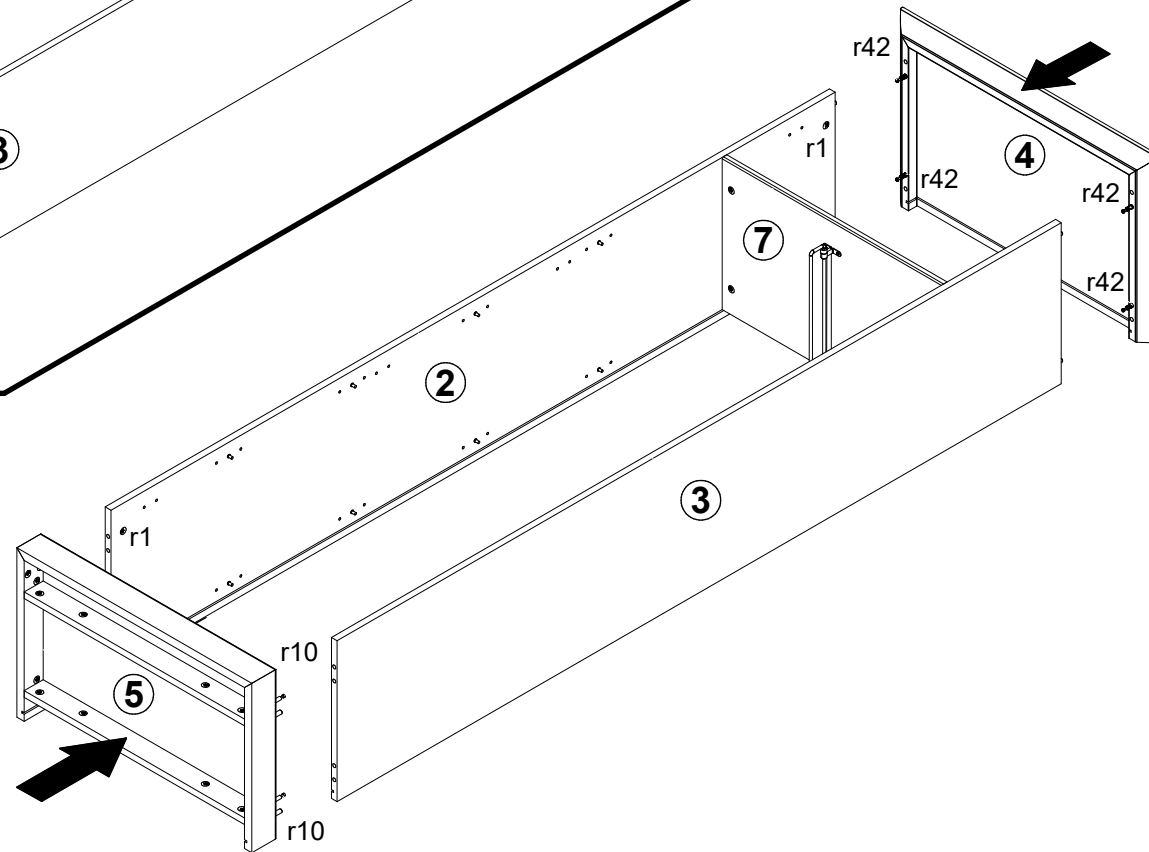
6



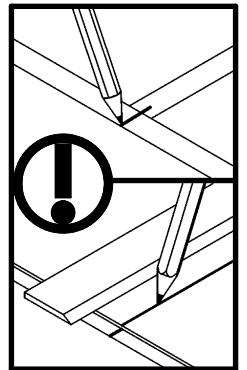
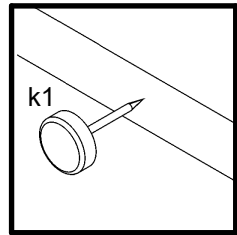
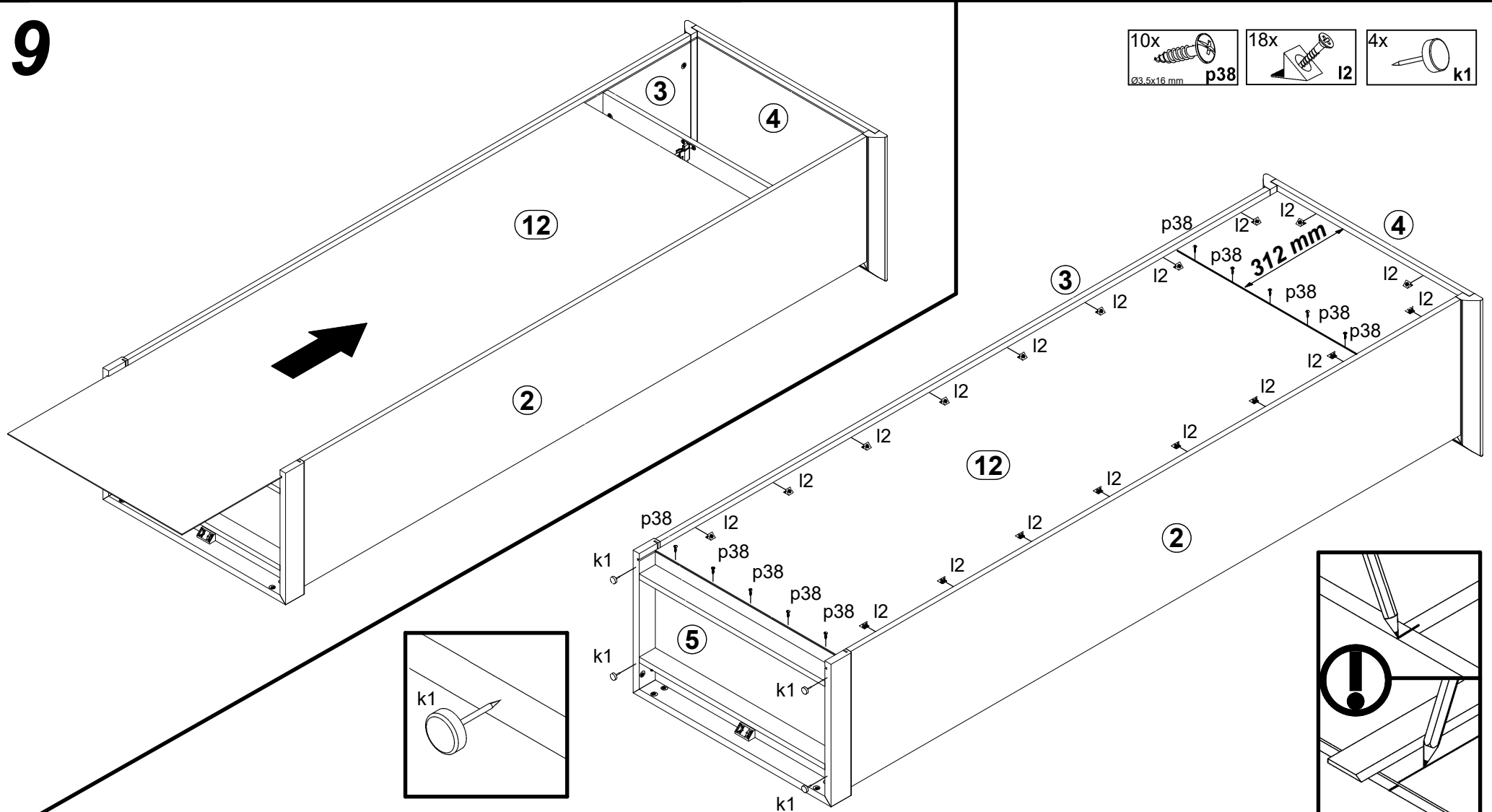
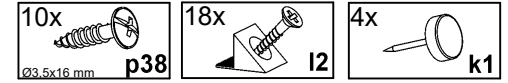
7



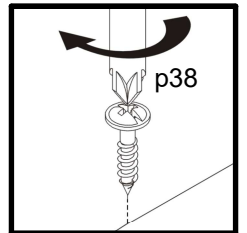
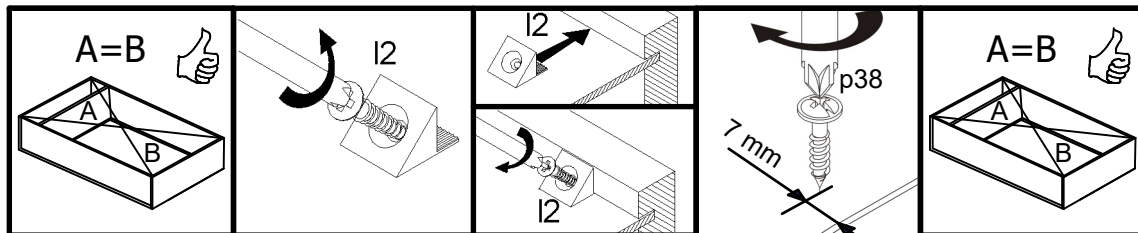
8



9

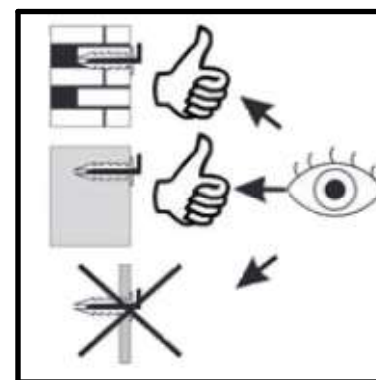
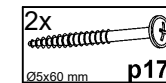
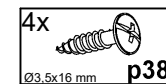
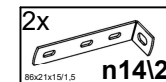
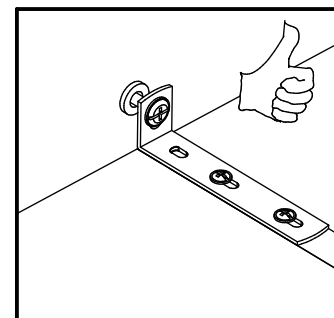
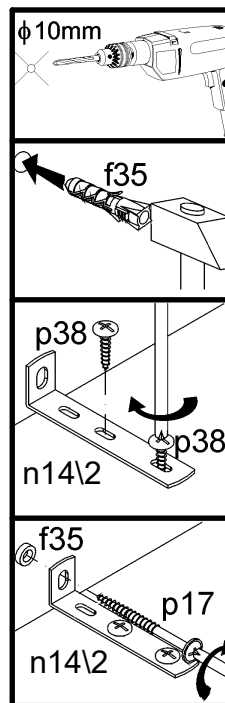
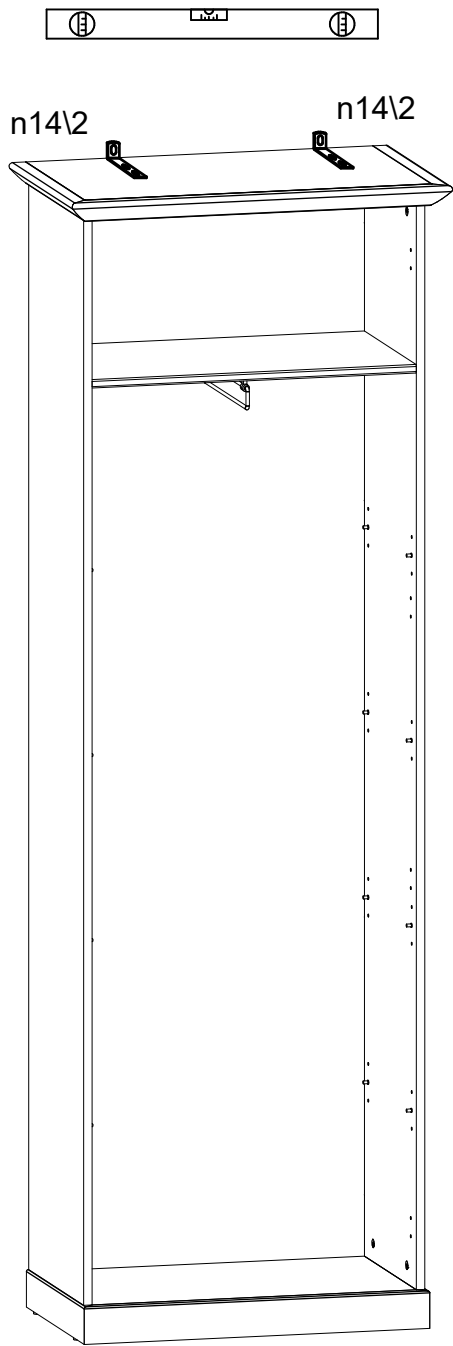


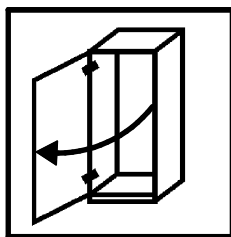
10



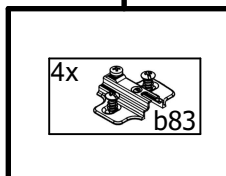
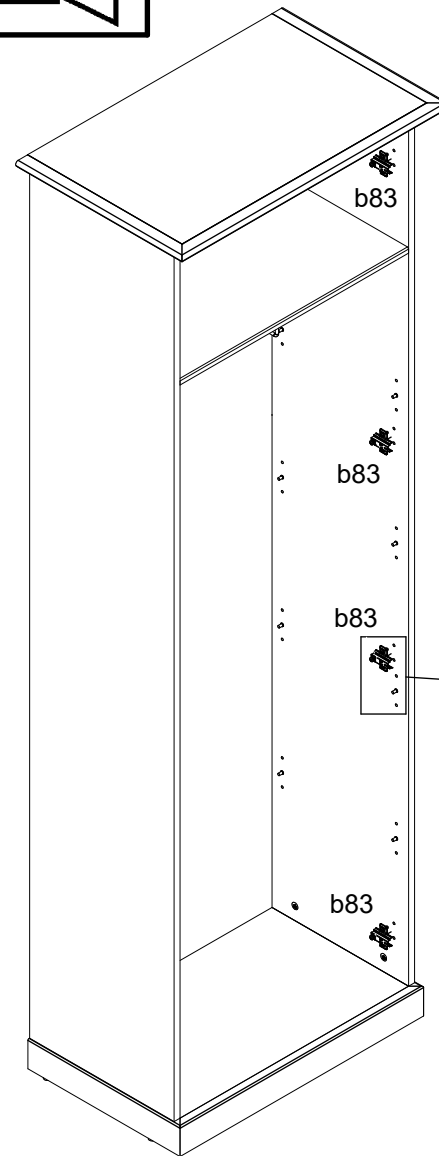
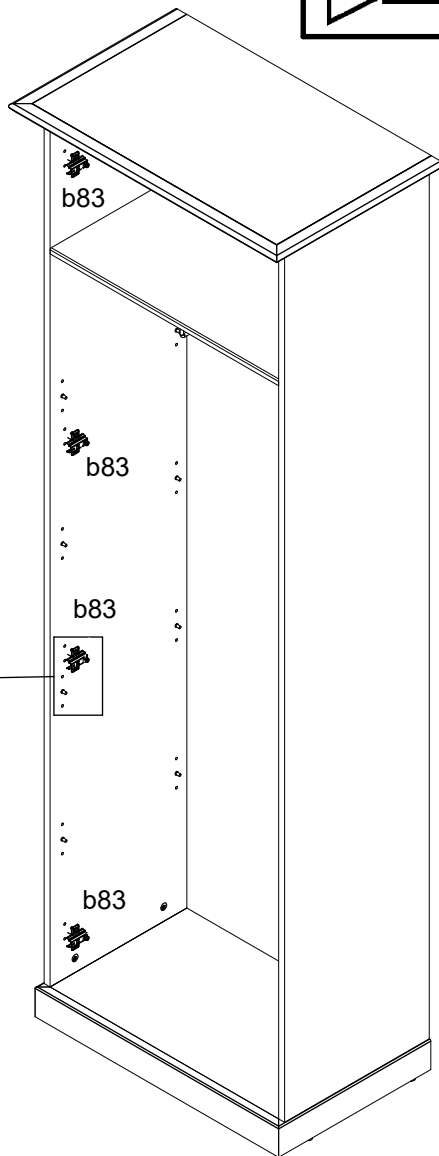
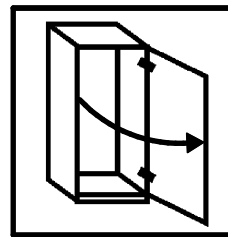


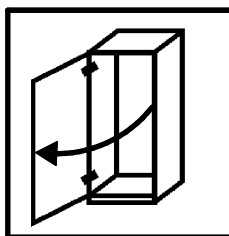
11





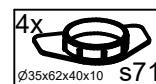
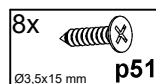
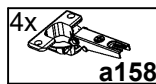
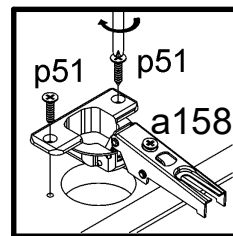
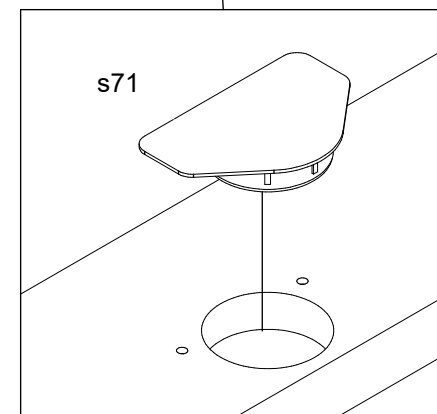
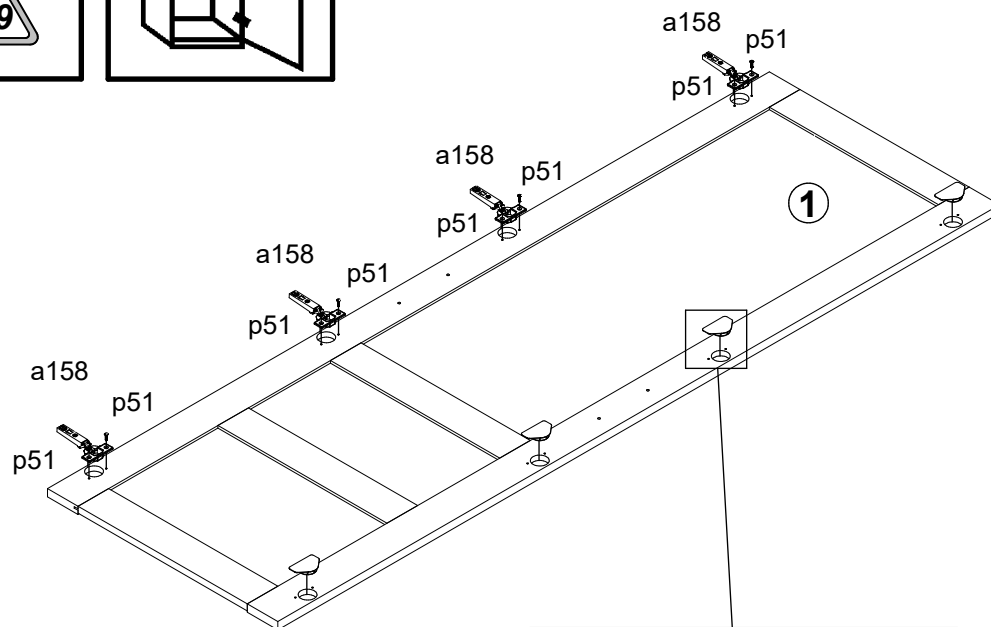
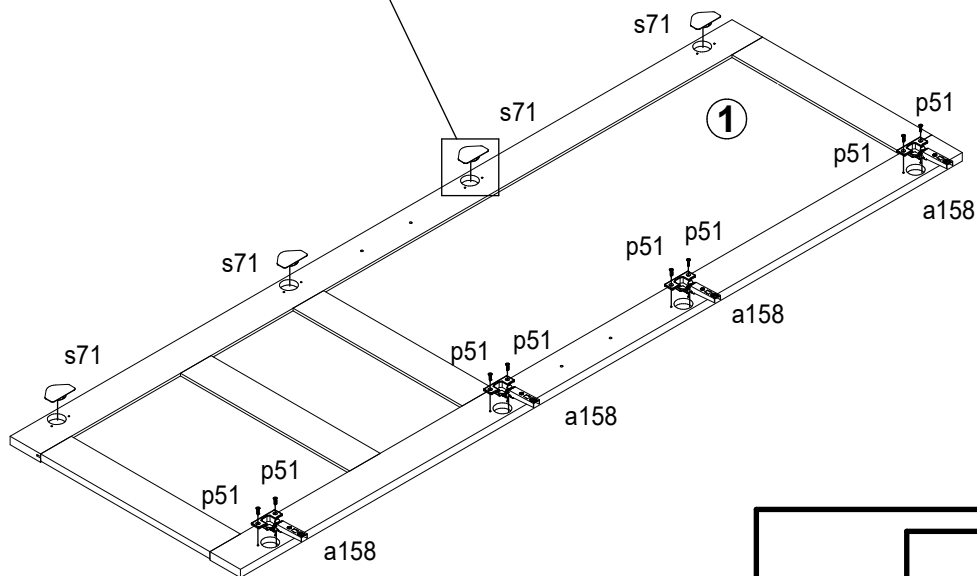
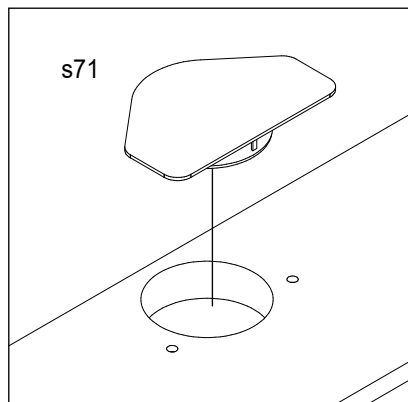
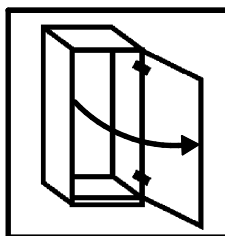
12

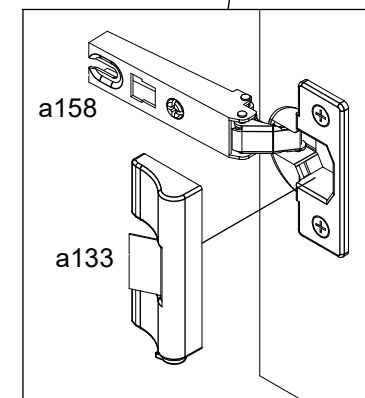
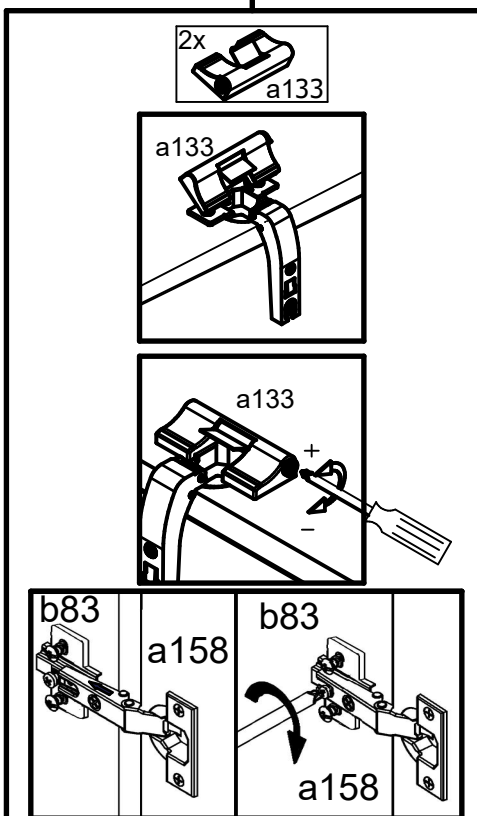
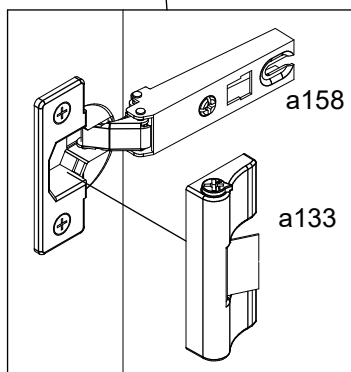
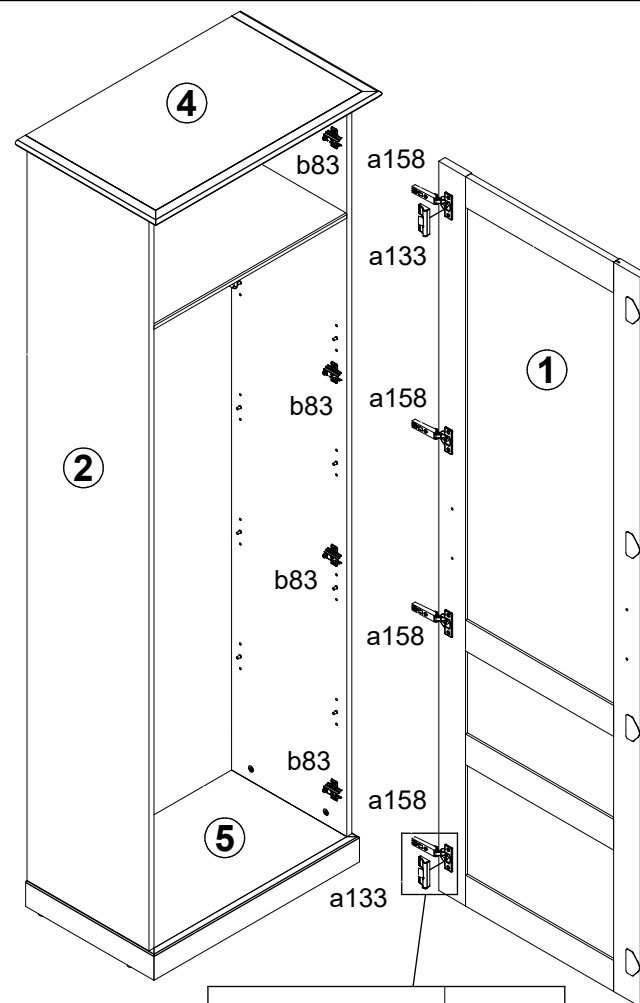
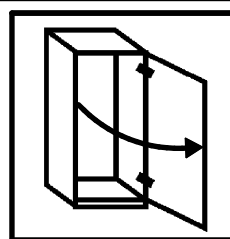
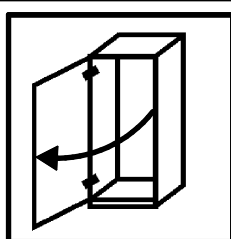
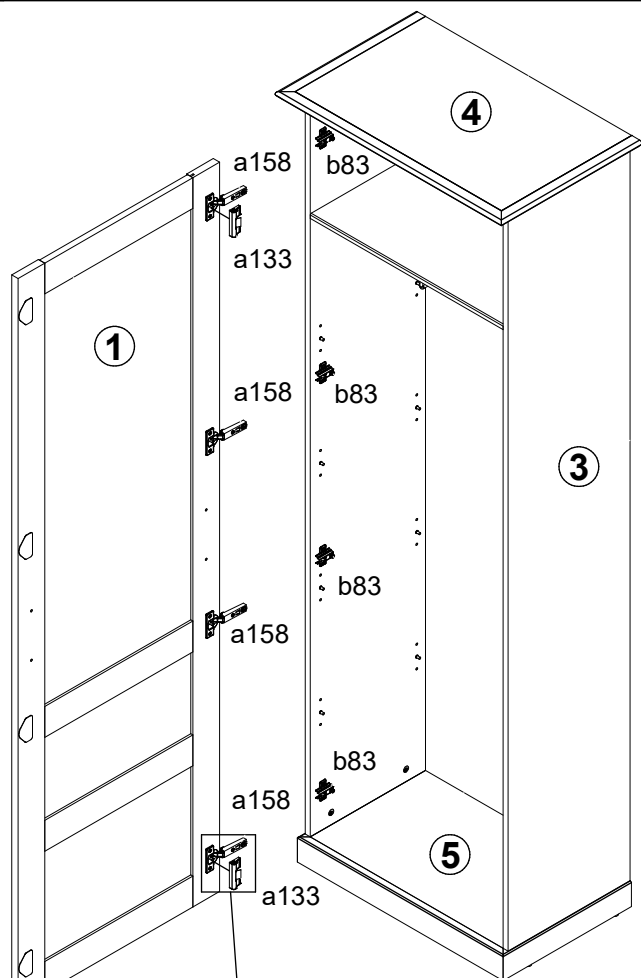




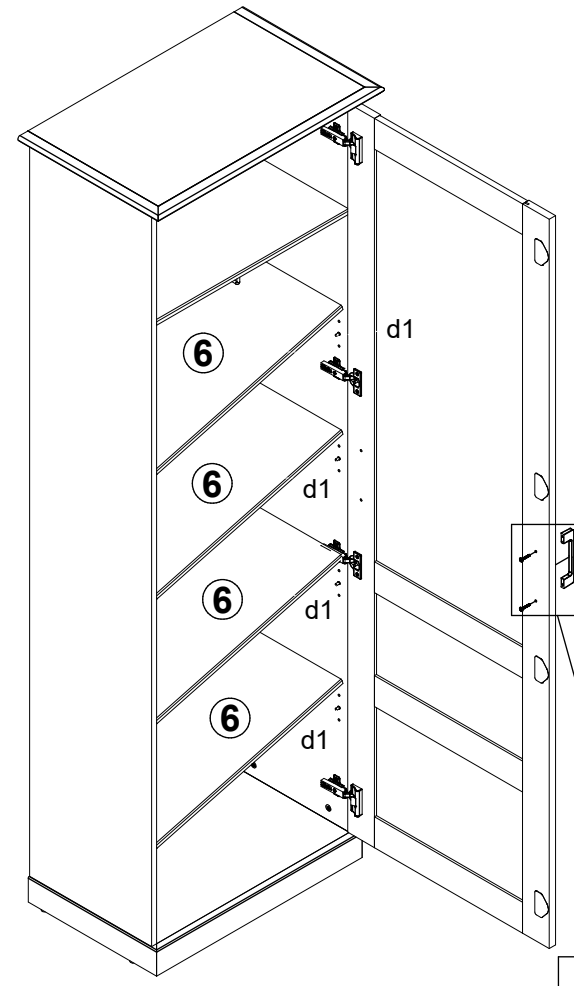
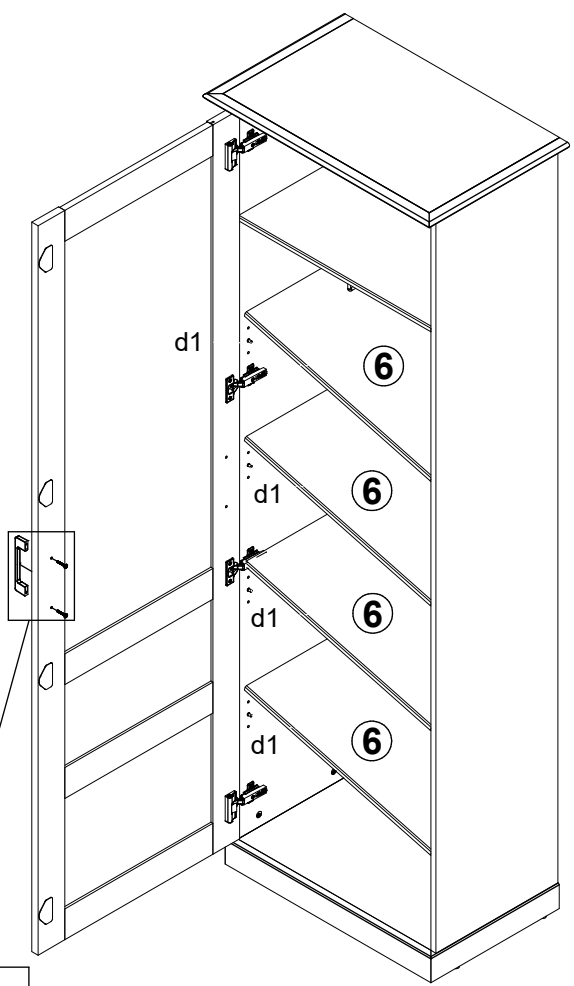
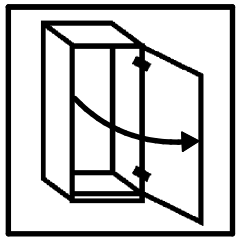
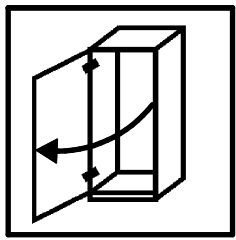
**13**

§19





15



- 12x s2  
ø16
- 2x j8  
M4x25 mm
- 1x c406  
128 mm

